

Submittal Data Sheet

**Project
Information**

Project Number _____ Approval _____

Features

- Durable, easy to clean type 304 stainless steel front
- Self relieving 0-250 psi pressure regulator
- High flow capacity
- Patented Front Loaded (fast & easy to repair) DISS Outlet
- Painted steel rough in box
- High quality ball valve
- Easy to read 2" 0-300 psi gauges
- Outlet supply tube facilitates piping to additional remote outlets



NP100 – Nitrogen Gas Control Panel Shown

Specifications

All gas control panels shall be Tri-Tech Medical, Inc. series and must be installed and tested in strict accordance with NFPA 99 standards and or other local codes before use.

Rough in box assembly shall be of 18 Ga. Steel construction. Box shall be supplied with an adjustable plaster flange for easy mounting. Two 3/8" nominal 1/2" OD Type K copper stubs shall be supplied to facilitate piping to the box and to any optional remote outlets. Box assembly shall be factory piped to allow for pipeline testing before gas panel is installed.

The gas panel shall include a high flow self-relieving pressure regulator capable of providing pressures up to 250 psi. A quarter turn brass, ball type valve shall be used to supply pressure to the regulator. Two 0-300 psi 2" diameter pressure gauges shall be provided to monitor both supply and outlet pressure. Panel shall also include a front loaded CGA DISS gas specific outlet.

The gas control panel shall be factory piped and 100% tested. All components shall be panel mounted on a stainless steel, silk-screened front panel.

NFPA – (National Fire Protection Association Pamphlet 99" Health Care Facilities") compliant.

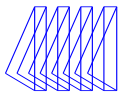
CGA – (Compressed Gas Association Pamphlet V-5 "Diameter Index Safety System") compliant.

Flow Rates

Inlet PSIG	Static Delivery	Flow to atmosphere SCFH	Delivery PSIG flowing
180	100	930	96
180	110	1030	106
180	120	1110	114
180	130	1150	119
180	150	1175	120
180	170	1180	120

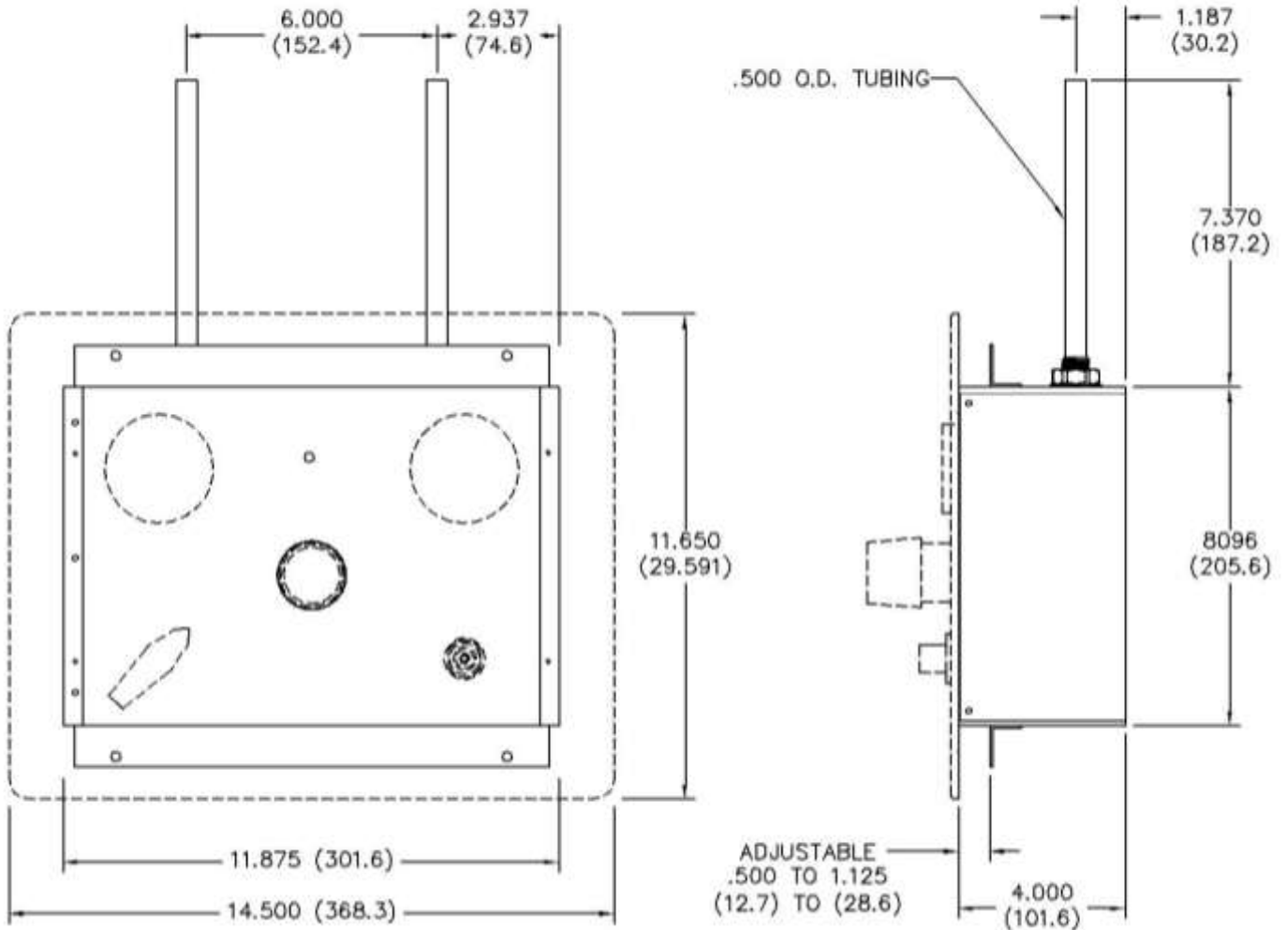
Options

- Available with 1/4 female npt outlet connection
- Conversion kits available for Hill-Rom, Ohmeda, Medaes, Allied/Chemetron, Oxequip and Squire Cogswell gas control panels.



Dimensions

DIMENSIONS - INCHES
(MM)



Ordering Information

Part #	Description
NP100	Nitrogen Control Panel DISS 1120 Outlet
CP100	Carbon Dioxide Control Panel DISS 1108 Outlet
IP100	Instrument Air Control Panel DISS 2080 Outlet