

Submittal Data Sheet

**Project
Information**

Project Number _____ Approval _____

Features

The Tri-Tech Master Alarm Panel conversion kits are designed to upgrade or retro-fit existing panels produced by several major brands. The conversion kit replaces all major components re-utilizing the existing back box. The kit includes: alarm front panel, power supply and mounting flange.

The Tri-Tech Master Alarm Panel monitors and displays normal and alarm conditions from up to 64 remote medical gas source signals. Pressure switches and DISS union check valve connectors are sold separately.

- Complies with NFPA 99. Made in the U.S.A.
- Self-contained unit – designed for ease of installation and service.
- MCP circuit board available for interface to building management system.
- Microprocessor controlled
- Self-diagnostic and error message display for ease of maintenance.
- Audio and visual alarm indicators
- Bright easy to read L.E.D. displays – clearly visible in both day and night lighting conditions
- Visual (green) indication of normal condition
- Visual (red) indication of abnormal condition
- Constant display and monitoring of each source alarm signal
- Individual user programmable remote signal alarm points (NC, NO or disabled)
- Dry contacts for remote monitoring of all alarm conditions
- Alarm history display of previous alarm conditions
- Hinged frame with lanyards for easy accessibility
- Three year PC board warranty

Specification

The Master Alarm Panel shall be the Tri-Tech Medical Master Alarm Panel. The panel shall be microprocessor controlled and designed to comply with NFPA 99. The panel shall be 100% digital and shall not require re-calibration. The panel shall be able to interface with building management systems with the use of additional equipment. The alarm panel shall be enclosed in a steel box and shall be designed to accept an electrical input range of 120-240 volts AC – 50-60 hertz. The source voltage shall be stepped down with a self-contained transformer. The panel shall contain audible and visual alarm indicators. The audible alarm may be silenced by pressing the alarm silence button, but the visual alarm indicator can only be cancelled by fault correction.

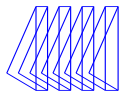


(Master alarm conversion shown above is 16 signals – part # DU616)

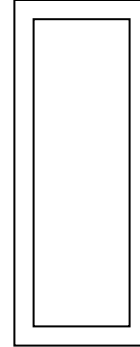
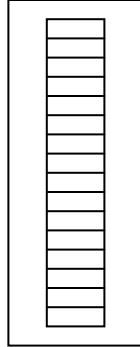
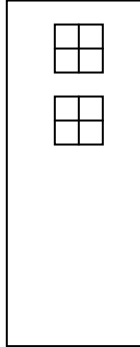
The alarm shall be capable of displaying alarm history for all possible alarm conditions. Each source signal module shall monitor 16 signals. The alarm shall be capable of monitoring and displaying up to 64 medical gas source signals in increments of 16 source signals. The alarm is modular and may be initially installed as a smaller unit (i.e. 16 signals) and later expanded to (i.e. 32 signals).

In addition, each 16 signal Master Alarm Module shall incorporate the following features:

- Individual user programmable remote signal alarm points to accept NO or NC signals, or may be disabled. Factory preset to accept Normally Closed signals
- LED indicators (Green) confirms normal status, (Red) indicates abnormal condition
- Each signal easily labeled and positioned to suit any requirement using self adhesive labels provided

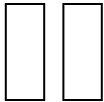


Ordering Information:



Area Alarm Conversion Type (from below existing alarm to Tri-Tech Medical AU series)	Master Alarm Module (16 signals per module)	Blank Slot (May be used for future expansion)	Add Building Management Interface Circuit Board(s)
Part Number	Part Number	Part Number	Part Number
DU2 = Amico with 1/8 npt F riser connection	16 = One 16 signal module	B = Blank Module	MCP = Include corresponding # of 16 signal building management interface circuit boards.
DU3 = Amico with 1/4 npt F riser connection	32 = Two 16 signal modules		
DU4 = Chemetron	48 = Three 16 signal modules		
DU6 = Tri-Tech AA series	64 = Four 16 signal modules		
DU7 = Ohio Medical (1970 to 1985)			
DU8 = Tri-Tech AU series			

Examples:



DU716 = Ohio 16 signal Master Alarm
DU716MCP = Ohio 16 signal Master Alarm with 16 signal Building Management Interface circuit board



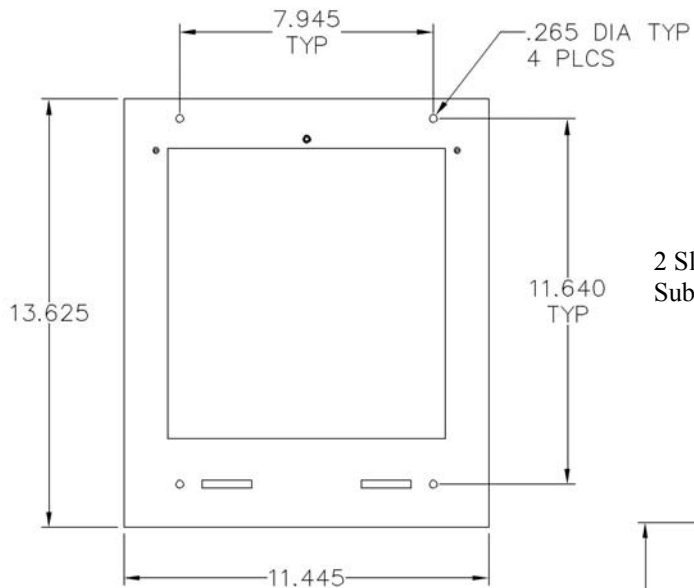
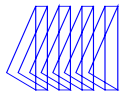
DU332 = Amico 32 signal Master Alarm
DU416B = Chemetron 16 signal Master Alarm with blank slot for future expansion



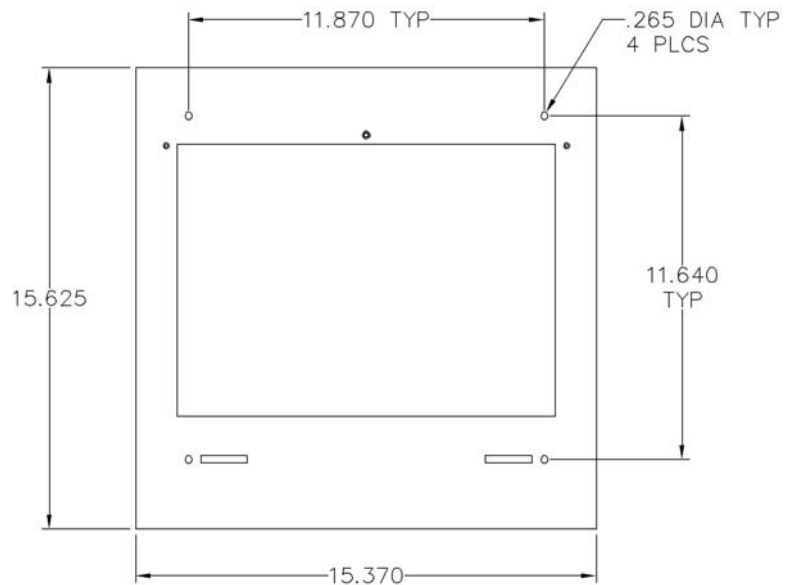
DU632BB = Tri-Tech AA series 32 signal Master Alarm with 2 blank slots for future expansion
DU448B = Chemetron 48 signal Master Alarm with blank slot for future expansion
DU364 = Amico 64 signal Master Alarm
DU864 = Tri-Tech AU series 64 signal Master Alarm

*Note – Medical Gas Alarms come in one of the three configurations shown.
Logic Module + One Module. Logic Module + Two Modules.

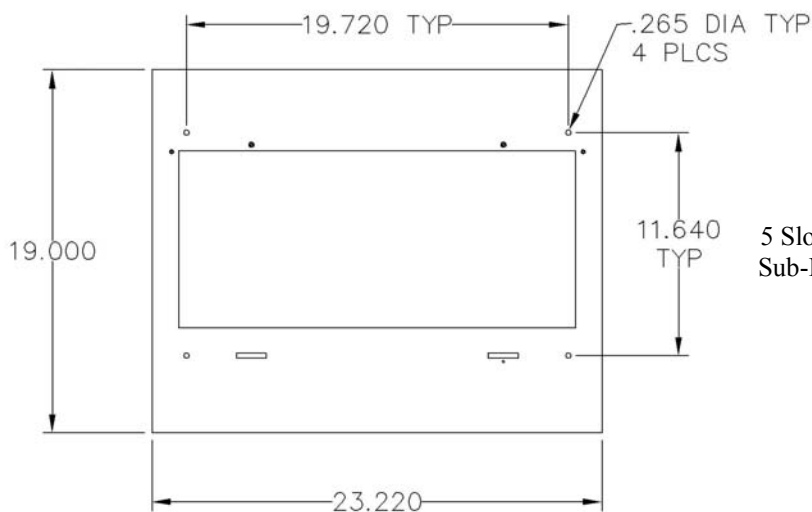
Logic Module + Four Modules.



2 Slot Alarm Front
Sub-Mounting Plate



3 Slot Alarm Front
Sub-Mounting Plate



5 Slot Alarm Front
Sub-Mounting Plate