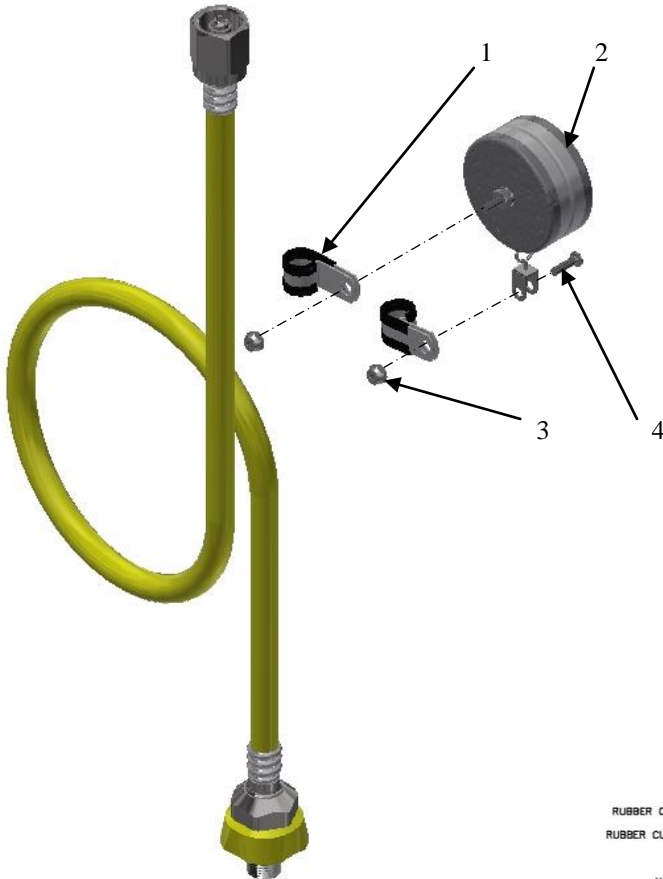


Dual Hose Retractor Kit for Ceiling Gas Outlets

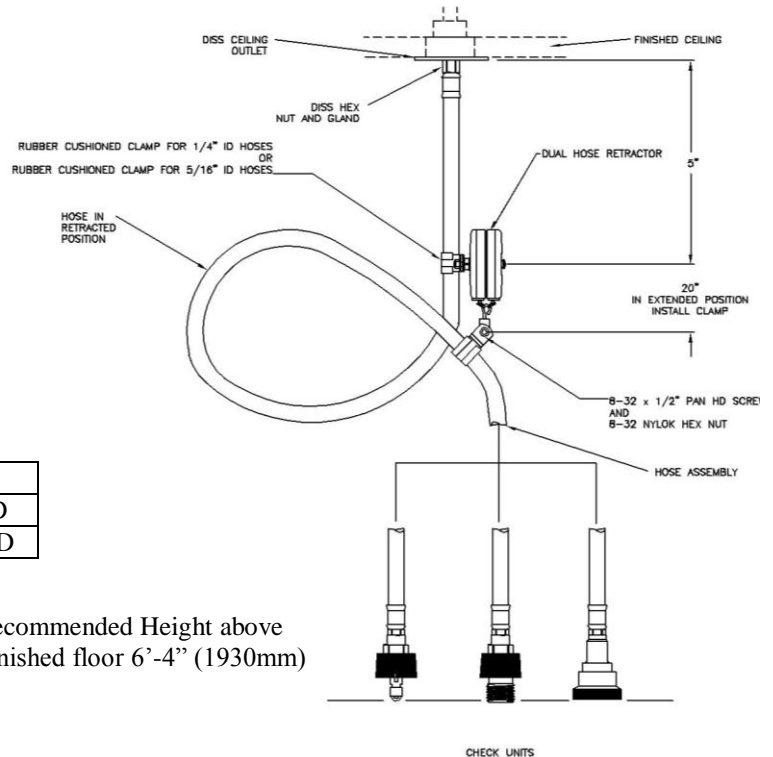


Medical Air Hose Shown

1. 1/4 " ID Rubber Cushioned Clamp  
Or 5/16" ID Rubber Cushioned Clamp
2. Dual Hose Retractor
3. Nylon Mounting nuts
4. Mounting Screw



Dual Hose Retractor



Recommended Height above  
Finished floor 6'-4" (1930mm)

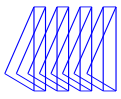
Part Number	Description
88-0211	Dual Hose Retractor Kit for 1/4" ID
88-1117	Dual Hose Retractor Kit for 5/16 " ID

**Tools Needed**

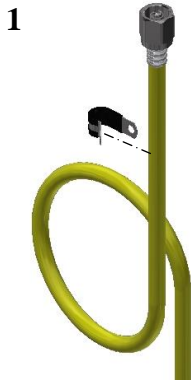
1- Phillips Screwdriver

1- Set of Hex Wrenches

Refer to reverse side for detailed instructions



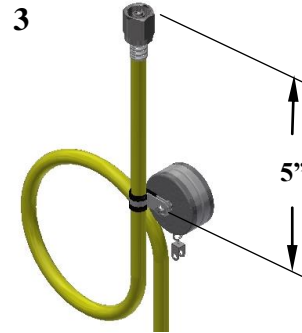
**Tri-Tech Dual Hose Retractor Installation Instruction**



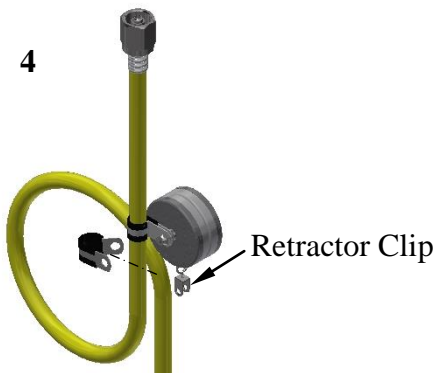
1  
Insert the clamp around the hose and press firmly, leaving it loosely around the hose.



2  
Once the clamp is firmly around the hose, insert the retractor screw through the clamp and thread on the nut and lightly tighten the nut for adjustment.



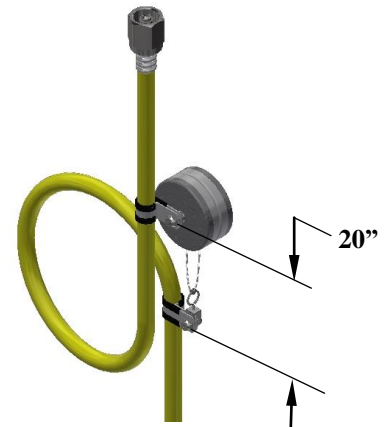
3  
Adjust the retractor to 5 inches from the top of the hose DISS connection and carefully tighten the nut. Be careful **NOT** to compress the hose.



4  
Create a loop to the hose and insert the second clamp around the other end of the hose. Press firmly, leaving it loosely around the hose. Slide the ends of the hose clamp around one of the prongs of the retractor clip.



5  
Once the clamp is firmly around the other end of the hose, insert the mounting screw through the clip and clamp lightly tightening the nut for adjustment. Careful **DO NOT** over-tighten the nut on the clip may cause chain to bind and malfunction. (**Note:** could void warranty)



6  
Adjust the hose clamp and retractor by extended it fully to 20 inch extension. Once extended, tighten nut being careful **NOT** to compress the hose and the clip. Check the retractor by extending it for retraction. (**Note:** Loop may be adjusted for proper hose length.)

**To determine the desired length of hose:**

**With Hose Retractor:** Distance between finished floor and finished ceiling minus 4'-8" (1422mm) = Hose length

**Without Hose Retractor:** Distance between finished floor and finished ceiling minus 6'-4" (1930 mm) = Hose length

**Note:** When using the equations given above, the check unit will terminate approximately 6'4" (1930mm) above the finished floor.