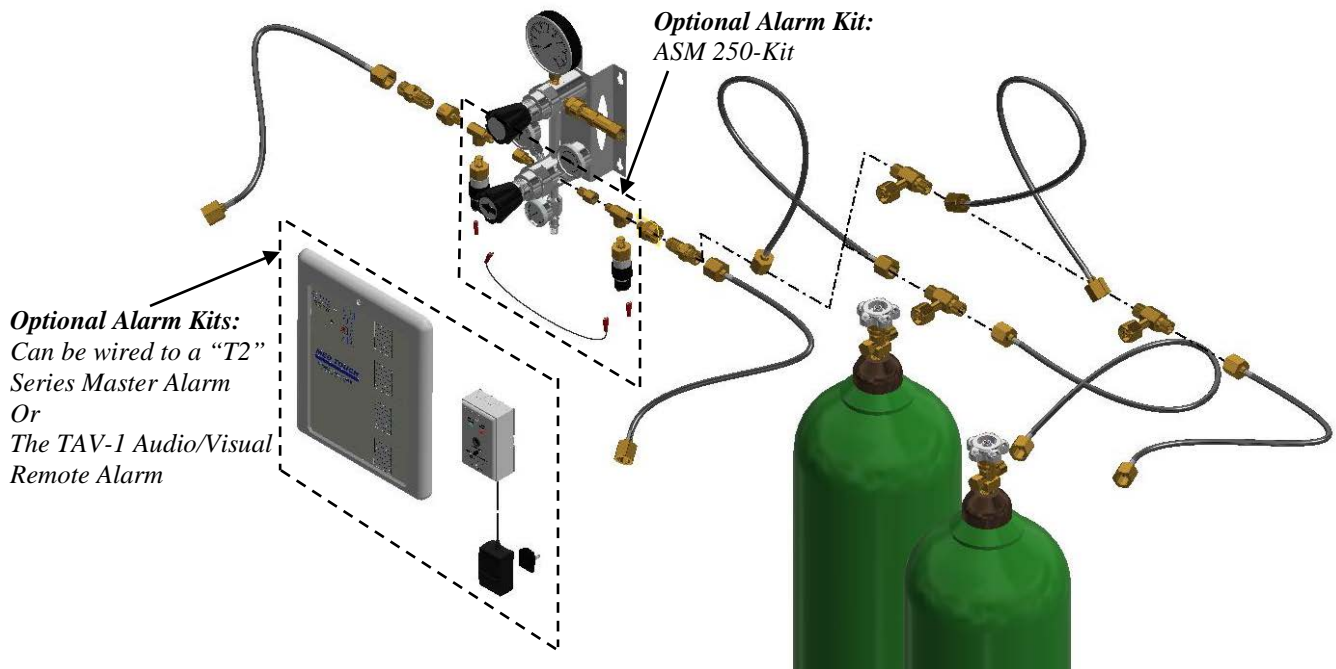


*Auto Change Over Manifold Alarm Kit ASM250-Kit*



**Note:** Use Oxygen compatible thread sealing tape for all pipe thread joints.  
(Do not apply sealing tape to CGA thread joints)

**Refer to the above piping diagram during assembly of the fittings.**

The ATS Auto Change Over Manifold should be installed on the wall or suitable surface before installing this alarm kit. If this kit is being added to an existing Change Over Manifold, remove the pigtail, CGA check valve and NPT adaptor from the inlets of the manifold first. Be sure all gas pressure is exhausted before removing fittings.

**Installation Procedure:**

Install the 1/4" NPT M x F bushing into one of the inlet ports on the lower end of the Auto Change Over Manifold. Then install the street tee into the 1/4" NPT bushing.

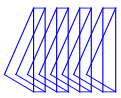
Tighten snug with the port 90° to the inlet facing down as shown.

Install one of the pressure switches into the port of the street tee that is facing down and tighten snug.

Install the 1/4" male NPT x 1/2" female NPT adaptor and then the CGA check valve to the street tee port 180° from the Auto Change Over Manifold inlet as shown. Refer to the Auto Change Over Manifold installation/ Operating Instruction manual 99-0562 for complete details.

Repeat the process for the opposite side of the manifold.

Refer to the diagram on pages 2 or 3 to complete the wiring to the alarm. When wired properly, this kit will provide an open circuit to either style of alarm noted above whenever the pressure falls below 400 psi on either the right or left bank of cylinders to actuate an alarm signal.



Wiring the Manifold Alarm Kit ASM250-Kit,  
To a "T2" Series Master Alarm

Mount the "T2" Series Master Alarm where needed following the instructions provided with the alarm.

**CAUTION: Be sure the power is OFF to the "T2" Series Master Alarm before proceeding.**

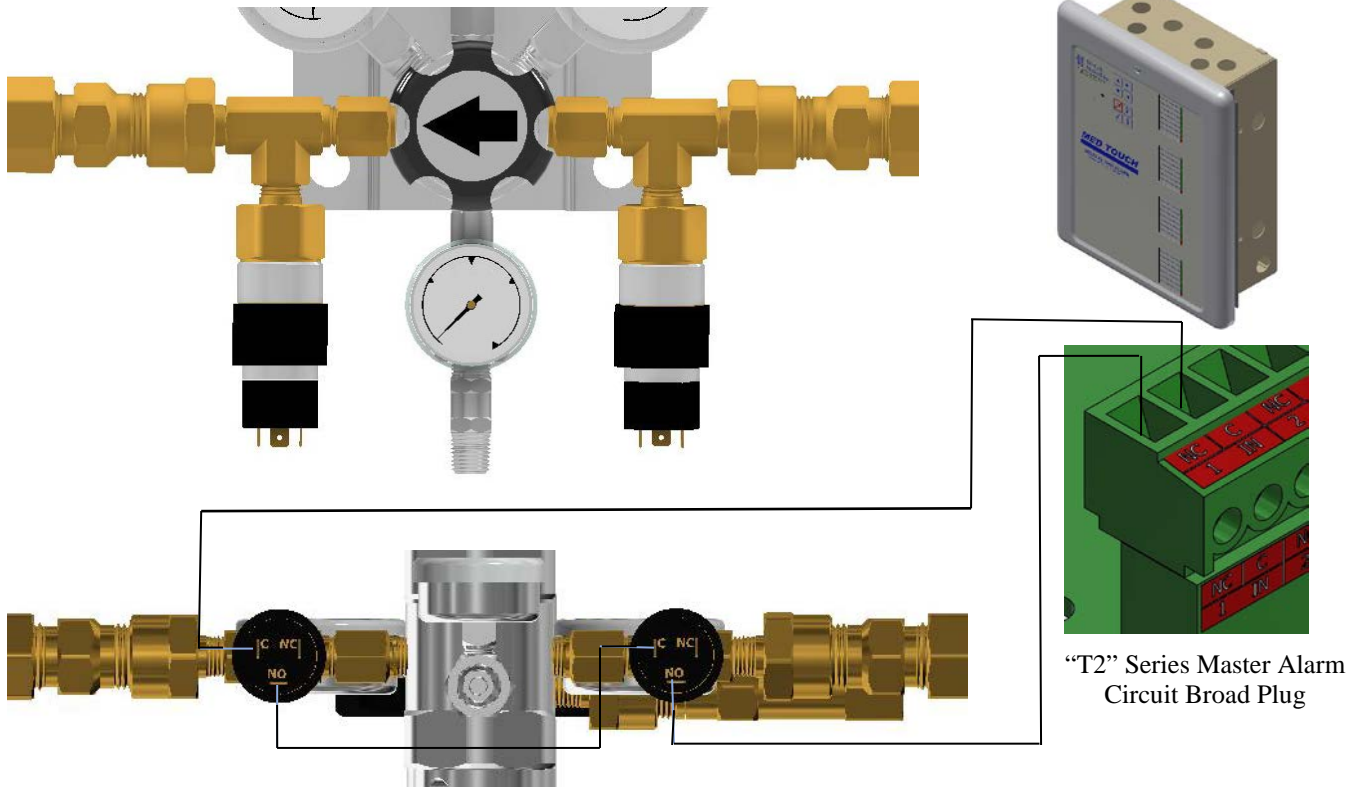
**Note:** Single pair stranded wire Belden cable 8442 (22 AWG), 8205 (20 AWG), 8461 (18 AWG) or equivalent can be used to connect the Manifold Alarm Kit to the "T2" Series Master Alarm.

Following the wiring diagram below, connect the black jumper wire provided to the "C" terminal of the right pressure switch and the other end to the "NO" terminal of the left pressure switch.

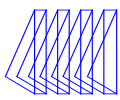
Route the Belden cable (or two wires) from the pressure switches to the Master Alarm location. Crimp the provided shielded terminals to one end of each wire and connect to the pressure switch as shown on the wiring diagram below. i.e. one wire to the "NO" terminal of the right pressure switch and the other wire to the "C" terminal of the left pressure switch.

Connect the wire from the right pressure switch "NO" to the NC gate in any of the 8 signal IN positions of the Master Alarm circuit board plugs. Connect the other wire from the left pressure switch "C" to the C gate in the same signal position of the plug in the Master Alarm.

Secure the wires from the pressure switches to the Master Alarm and restore power to the Master Alarm.



Wiring Diagram for ASM250-KIT Alarm Kit



Wiring the Manifold Alarm Kit ASM250-Kit  
To a TAV-1 Remote Audio/Visual Alarm

Mount the TAV-1 Remote Alarm, back plate only, where needed following the instruction provided with the alarm.

**Note:** Single pair stranded wire Belden cable 8442 (22 AWG), 8205 (20 AWG), 8461 (18 AWG) or equivalent can be used to connect the Manifold Alarm Kit to the TAV-1 Alarm.

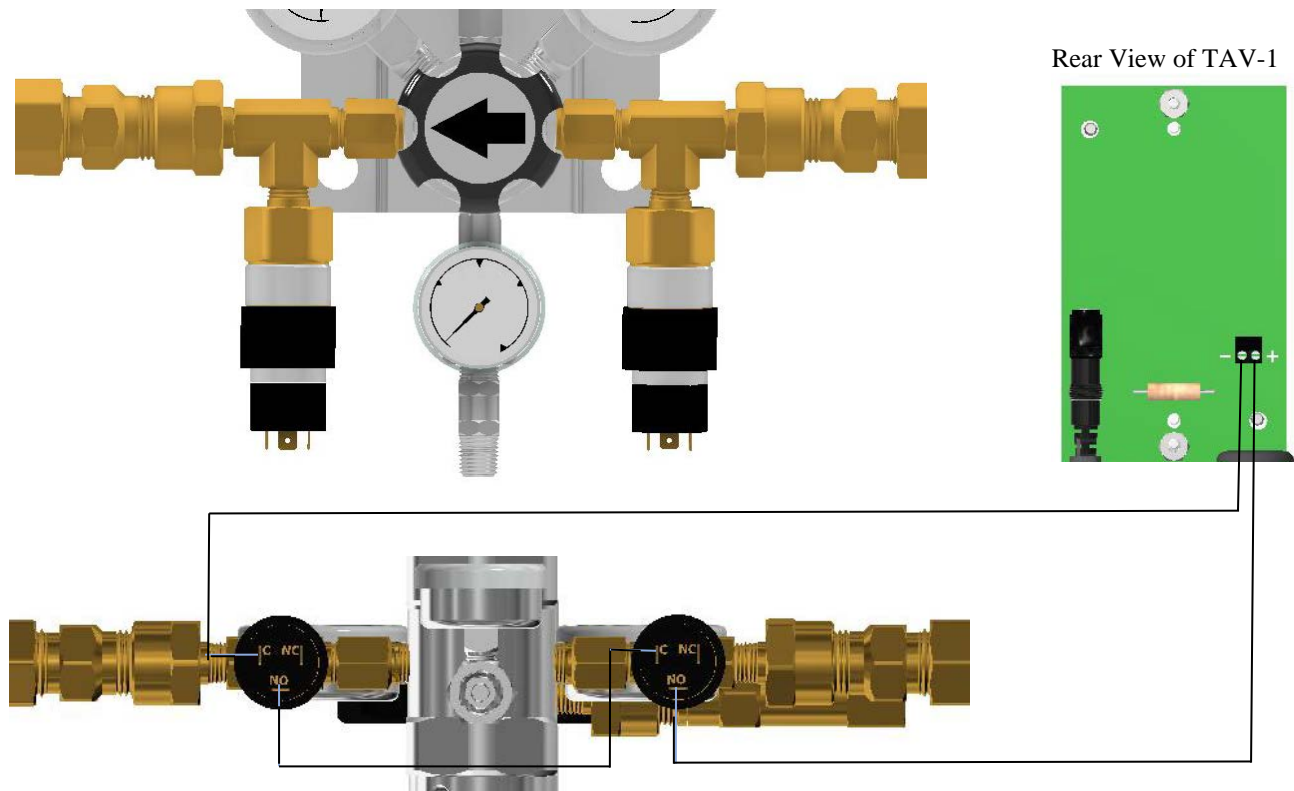
Following the wiring diagram below, connect the black jumper wire provided to the “C” terminal of the right pressure switch and the other end to the “NO” terminal of the left pressure switch.

Route the Belden cable (or two wires) from the pressure switches to the Remote Alarm location. Crimp the provided shielded terminals to one end of each wire and connect to the pressure switch as shown on the wiring diagram below. i.e. One wire to the “NO” terminal of the right pressure switch and the other wire to the “C” terminal of the left pressure switch.

Connect the wire from the right pressure switch “NO” to the (+) gate in the remote alarm and the other wire from the left pressure switch “C” to the (-) gate in the remote alarm.

Complete the assembly of the TAV-1 Remote Alarm box.

Secure the wires from the pressure switches to the remote alarm and plug in the remote alarm power supply.



Wiring Diagram for ASM250-KIT Alarm Kit