

Submittal Data Sheet

Features and Benefits

- Meets NFPA 99 standard
- 3 piece in-line easy to service
- Dual gauge/purge ports 1/8 FNPT
- Full port ¼ turn ball valve
- Cleaned for Oxygen service
- Adjustable packing with blow-out proof stem
- Working pressure rating of 600 psi WOG (29 in/Hg vacuum)
- Conforms to MSS SP-110
- Available in sizes 1/2" – 2 1/2"
- Bronze body
- Type K copper tube extensions
- Optional locking handles available
- 100% tested
- Made in the U.S.A.

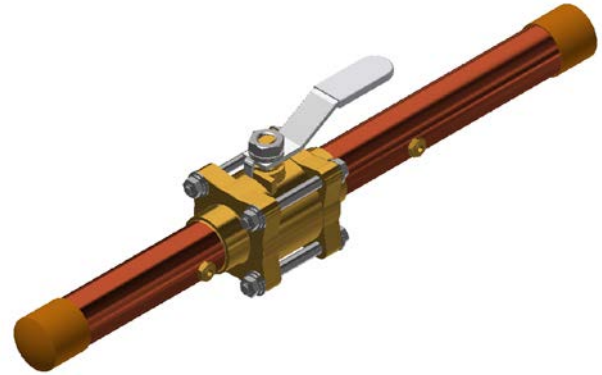
*See Terms and Conditions, Document No. 99-0477, our website at: www.tri-techmedical.com for complete details.

Specifications

All valves shall be Tri-Tech Medical 52 series and must be installed, tested and labeled in strict accordance with NFPA 99 standards and or any local codes before use.

The valves shall be bronze body, ball-type, with Teflon (TFE) seats and seals. Valves shall be rated at working pressure of 600 psi (29 in/Hg vacuum) and shall be operated by a lever-type handle requiring only a quarter turn from fully open position to a fully closed position. Optional locking handles are available.

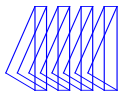
All valves shall be equipped with type K copper tubing extensions with two brass 1/8 NPT female gauge/purge ports (one on each side of the valve), to facilitate installation. Gauge/purge ports shall be shipped with a 1/8 NPT plug. Valves shall be 3 piece in-line repairable type. Valves shall incorporate an adjustable packing and blow-out proof stem. Only full port valves having flow rates comparable to equivalent size of pipe shall be used.



Each valve assembly shall be supplied cleaned for oxygen service in accordance with the current Compressed Gas Association (CGA) Pamphlet G-4.1, ends capped and sealed in a polyethylene bag to prevent contamination prior to installation.

NFPA – National Fire Protection Association Pamphlet 99 “Health Care Facilities”

CGA – Compressed Gas Association Pamphlet G-4.1 “Cleaning Equipment for Oxygen Service”



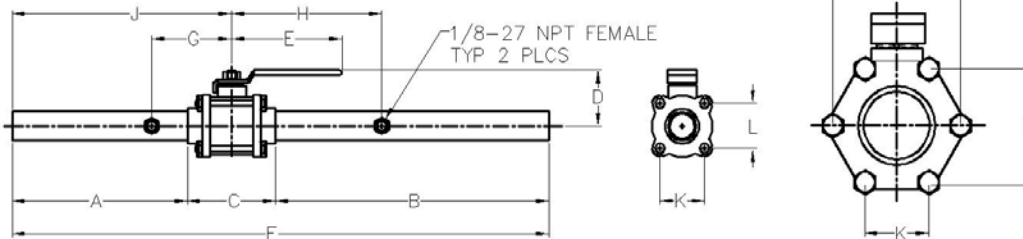
Submittal Date Sheet

Dimensions

Note: Gauge port supplied w/ 1/8" NPT Plug



Gauge Port Design



Six Bolt
used on 2 1/2" valves

Ordering Information

Ball Valve Assemblies														
Size Valve	Standard Handle Part#	w/ Locking Handle Part#	Dimensions											
			A	B	C	D	E	F	G	H	J	K	L	M
1/2"	52-02	52-02LH	8.25	11.75	3.02	1.85	3.75	23.02	2.38	6.38	9.76	1.41	0.81	-
3/4"	52-03	52-03LH	8.44	11.00	3.56	2.19	4.50	23.00	2.69	6.06	10.22	1.52	1.52	-
1"	52-04	52-04LH	8.69	10.50	3.81	2.64	4.80	23.00	2.88	5.88	10.60	1.80	1.80	-
1 1/4"	52-05	52-05LH	8.63	9.75	4.66	2.78	4.80	23.04	3.25	5.50	10.96	2.17	2.17	-
1 1/2"	52-06	52-06LH	9.00	9.75	5.00	2.95	4.80	23.75	3.38	5.38	11.50	2.38	2.38	-
2"	52-07	52-07LH	9.56	9.25	5.70	3.64	4.80	24.51	3.75	5.00	12.41	3.00	3.00	-
2 1/2"	52-08	52-08LH	12.50	12.50	7.00	5.22	8.00	32.00	4.25	4.25	16.00	2.69	4.66	5.38

Gauges

Pressure Gauge	
Pressure gauges 1-1/2" diameter 1/8" NPT center back mount	
Scale	Part Number
0-100 psi	14-1008
0-300 psi	14-1009
0-30 in Hg	14-1010