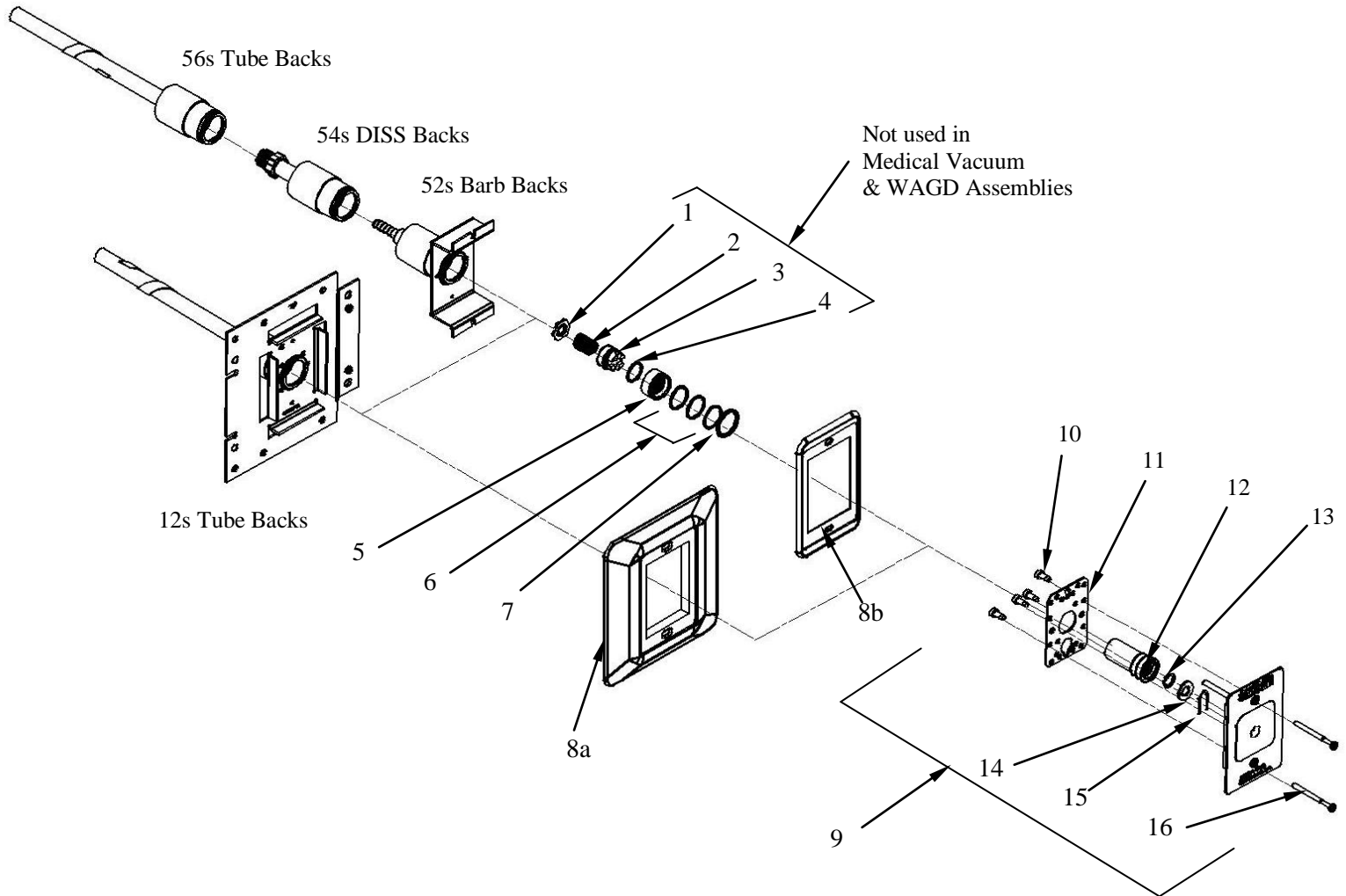


**180 Degree OHIO STYLE OUTLETS – XQ SERIES**

Ohio Style Compatible

Oxygen Outlet Shown



Item 9 Includes Items 10 through 16 in the Finishing Kit

## 180 Degree Ohio Style Outlets – XQ SERIES Bill of Material

Item	Part Number	Description	Quantity	Note
1.	XC1000-7	Spacer Washer	1	
2.	13-1003R	Spring	1	
3.	XC1000-5R	Poppet	1	
4.	11-0050R	Poppet O-Ring	1	<b>A</b>
5.	XC1000-6R	Insert Sleeve	1	
6.	11-0047R	Sleeve O-Ring	3	<b>B</b>
7.	12-1045R	Retaining Ring	1	
8a.	XC1000-9R	Finishing Kit Trim Plate	1	
8b.	XC1000-10R	Trim Plate Cover	1	
9.	See Below	XQ Finishing Kit Assemblies	See Below	
10.	12-3084R	Mounting Screws	4	
11.	AQ1000-12R	Indexing Housing Cover	1	
12.	XQ1000-DR	Front Body Assembly	1	
13.	11-0005R	Front Body O-Ring (Orange)	1	<b>C</b>
14.	12-1002R	Plated Washer	1	
15.	13-9001R	Wire Form Spring	1	
16.	30-0003	Mounting Screw Kit (2) 12-3037	1	

### **Item 8-Outlet Finishing Kits** ( All kits are assembled with Items 10 through 16)

XQ1004-A	Nitrous Oxide	1
XQ1008-A	Carbon Dioxide	1
XQ1016-A	Medical Air	1
XQ1022-A	Medical Vacuum	1
XQ1024-A	Oxygen	1
XQ1032-A	WAGD (Waste Anesthetic Gas Disposal)	1

### **Primary Valve Kit** (Kit Includes Items 12 Pre-Assembled Plus Items 13 through 15)

XQ1100RC	Primary Valve Kit for all Gases	1
----------	---------------------------------	---

### **Secondary Valve Kit**

XC1000KR	Secondary Valve Kit for all Gases Except Medical Vacuum & WAGD ( Kit Includes Items 1 through 7 )	1
XC1022KR	Secondary Valve Kit for Medical Vacuum & WAGD ( Kit Includes Items 5 through 7 )	1

**Note:** **A:** Install O-Ring item 4, on Poppet item 3.      **B:** Install O-Rings item 6, onto Insert Sleeve item 5.  
**C:** Insert O-Ring item 13 into Front Body item 12.