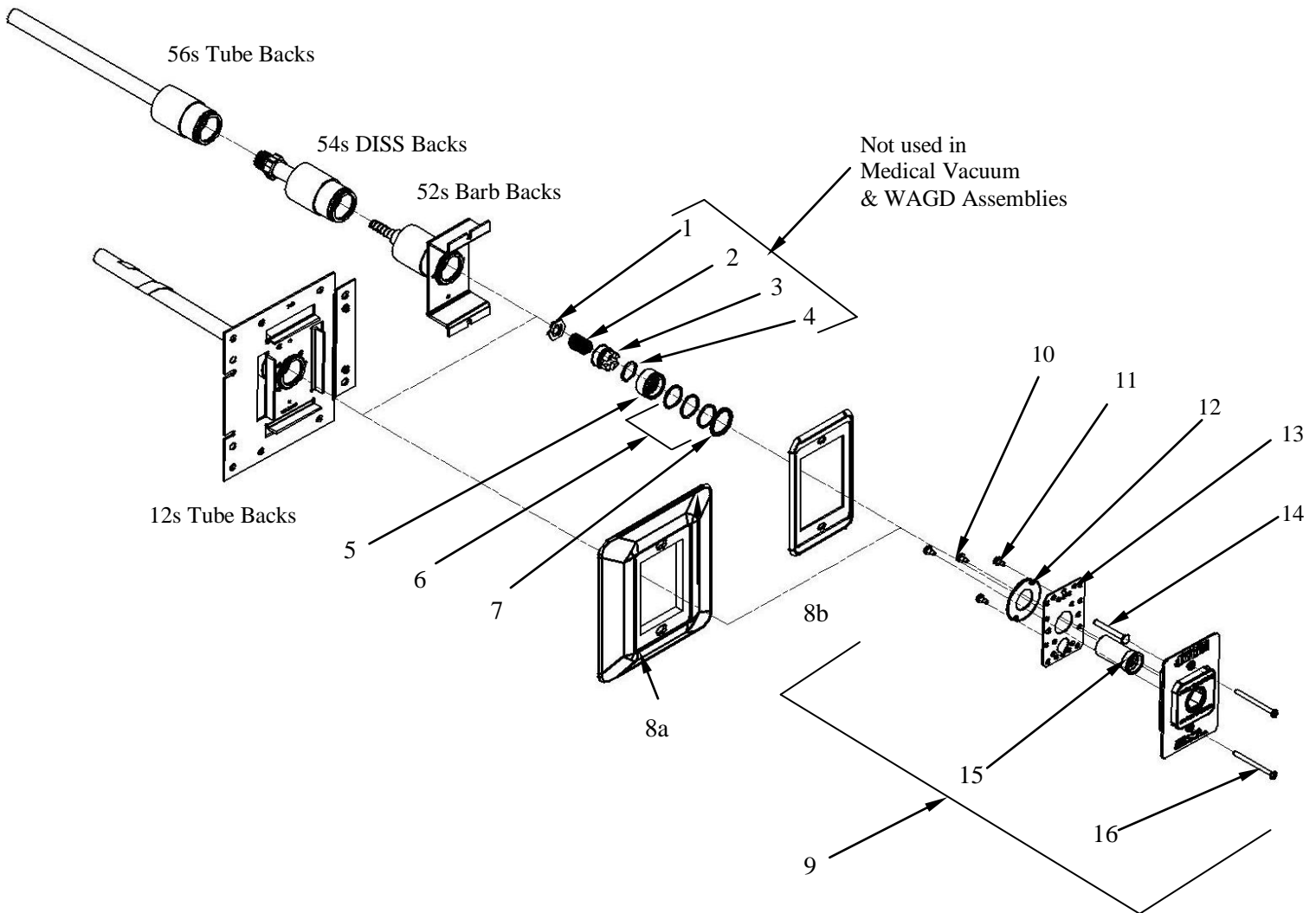


180 Degree PURITAN STYLE OUTLETS – XP SERIES

Puritan Bennett Style Compatible

Oxygen Outlet Shown



Item 9 Includes Items 10 through 16 in the Finishing Kit

180 Degree Puritan Style Outlets – XP SERIES Bill of Material

Item	Part Number	Description	Quantity	Note
1.	XC1000-7R	Spacer Washer	1	
2.	13-1003R	Spring	1	
3.	XC1000-5R	Poppet	1	
4.	11-0050R	Poppet O-Ring	1	A
5.	XC1000-6R	Insert Sleeve	1	
6.	11-0047R	Sleeve O-Ring	3	B
7.	12-1045R	Retaining Ring	1	
8a.	XC1000-9R	Finishing Kit Trim Plate	1	
8b.	XC1000-10R	Trim Plate Cover	1	
9.	See Below	XP Finishing Kit Assemblies	See Below	
10.	12-3086R	Mounting Screws	2	
11.	12-3087R	Retaining Washer Mounting Screws	2	
12.	XP1000-14R	Retaining Washer	1	
13.	AQ1000-12R	Indexing Housing Cover	1	
14.	XP1000-1R	Indexing Pin	1	
15.	XP1000-ER	Front Body Assembly	1	
16.	30-0003	Mounting Screw Kit (2) 12-3037	1	

Item 9-Outlet Finishing Kits (All kits are assembled with Items 10 through 16)

XP1004-A	Nitrous Oxide	1
XP1016-A	Medical Air	1
XP1022-A	Medical Vacuum	1
XP1024-A	Oxygen	1
XP1032-A	WAGD (Waste Anesthetic Gas Disposal)	1

Secondary Valve Kit

XC1000KR	Secondary Valve Kit for all Gases Except Medical Vacuum & WAGD (Kit Includes Items 1 through 7)	1
XC1022KR	Secondary Valve Kit for Medical Vacuum & WAGD (Kit Includes Items 5 through 7)	1

Note: A: Install O-Ring item 4, on Poppet item 3. B: Install O-Rings item 6, onto Insert Sleeve item 5.
--