

Submittal Data Sheet

**Project
Information**

Project Number _____ Approval _____

Features

- ETL Listed to UL 1331 and CSA Z9170-1
- Conforms to NFPA 99 and CGA standards
- Accepts Puritan Bennett gas specific compatible male adaptors
- Pin indexed faceplate and back
- Removable front assembly.
- All outlets are 100% tested for flow and leaks
- Full faceplate color coding
- 360% swivel inlet tube
- Made in the U.S.A.



Example – XP5324 Oxygen

Specification

The medical gas outlets shall be Tri-Tech Medical Puritan compatible quick connect medical gas outlets. The outlets shall be modular singles, and shall incorporate nameplate color-coding in accordance with NFPA 99.

The medical gas outlets shall be designed so that upon removal of the nameplate assembly, the secondary check valve shall operate automatically to stop the free flow of the positive pressure gas services. There shall be no secondary check for Medical Vacuum or WAGD services. The seal between the nameplate and the rough-in shall be a double O-ring which is serviceable without shutting off the gas service and is capable of supporting 10 pounds @ 2” from the nameplate without leaking.

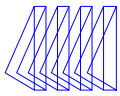
The outlet nameplate shall be permanently color coded with a durable, scratch resistant and protective label. The outlet trim plate part # XC1000-10 (optional – shown in right bottom photo) shall be durable plastic, scratch resistant, attached with the nameplate to the rough-in assembly, and provide automatic adjustment from 1/8 to 3/4 of an inch. The name of the gas service shall be permanently marked on the outlet bracket and the outlet.

The outlet’s rough-in supply connection shall be either a DISS male (XP53 or XP54 series or a 1/4 hose barb for positive gas pressure services or a 5/16” hose barb for vacuum and WAGD services (XP51 or XP52 series).

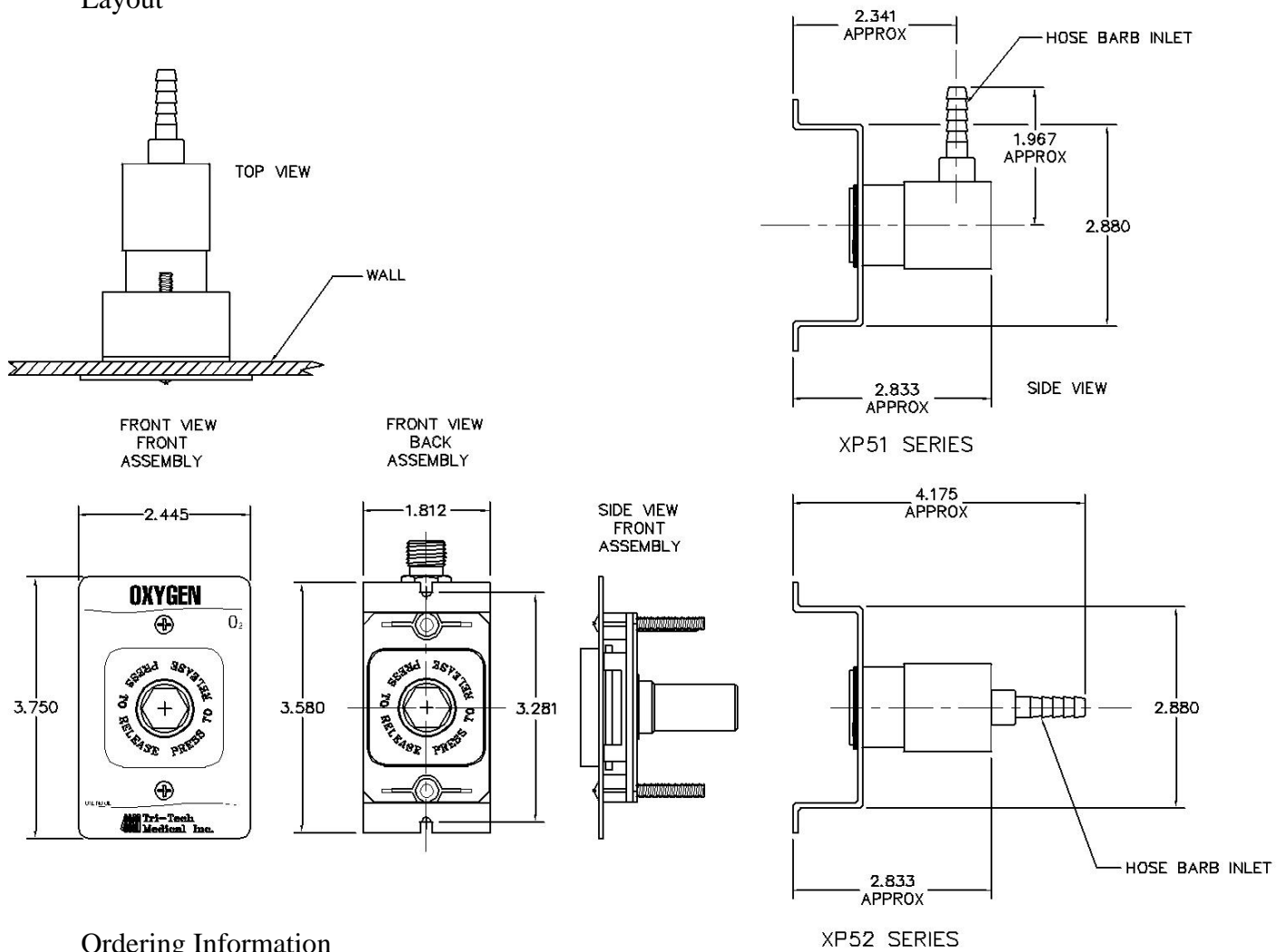
Medical gas outlets shall be cleaned for oxygen service in accordance with the current Compressed Gas Association (CGA) Pamphlet G-4.1, capped and placed in a protective container for shipment. The outlets shall be installed in strict accordance with manufacturer’s instructions, and tested before use in conformance with local and federal codes.



XP5324 Oxygen with XC1000-10 trim plate



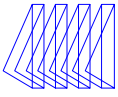
Layout



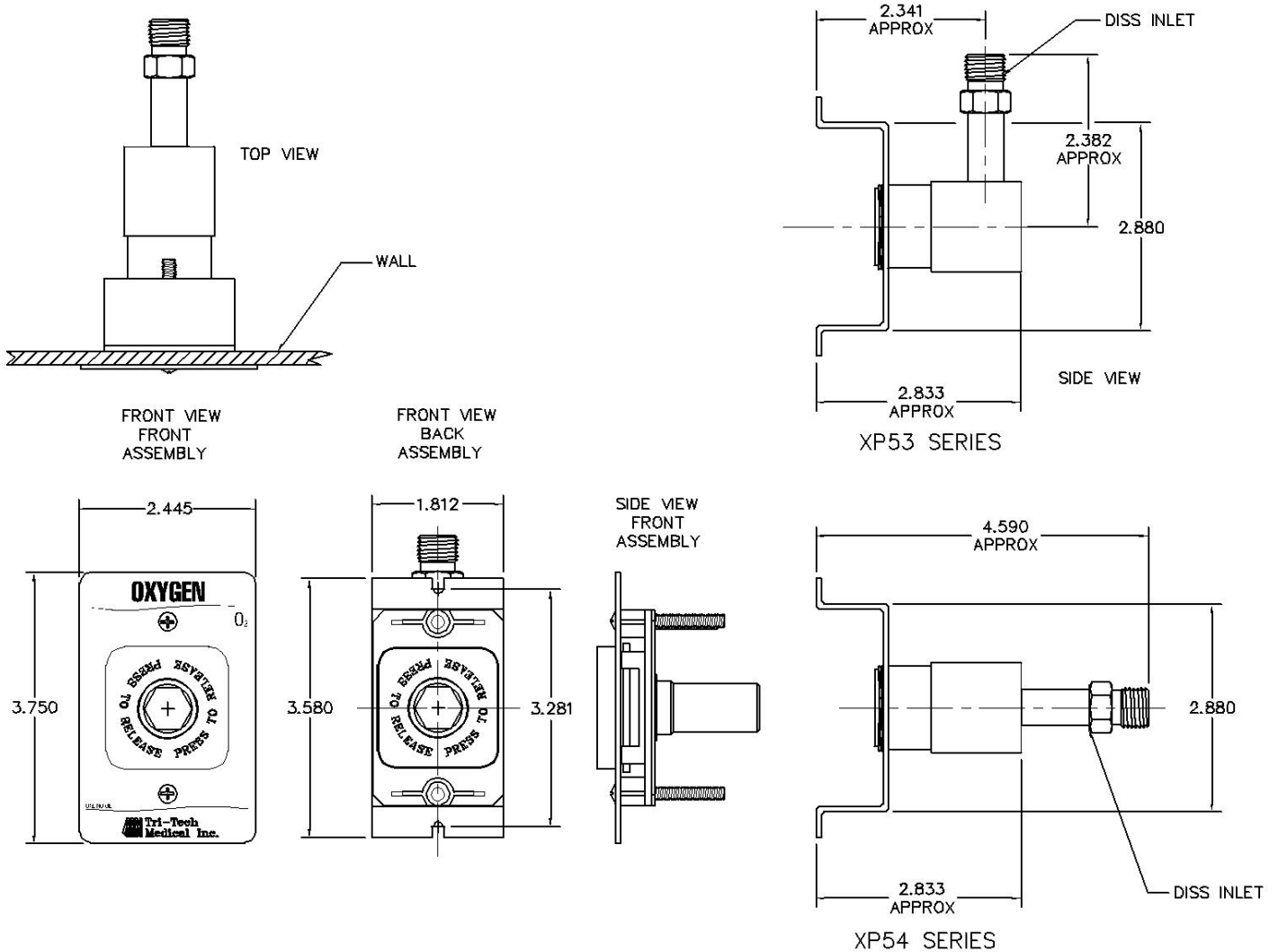
Ordering Information

Gas Service	Nitrous Oxide	Medical Air	Medical Vacuum	Oxygen	WAGD
Part Number	XP5104	XP5116	XP5122	XP5124	XP5132
Hose Barb Size	1/4	1/4	5/16	1/4	5/16

Gas Service	Nitrous Oxide	Medical Air	Medical Vacuum	Oxygen	WAGD
Part Number	XP5204	XP5216	XP5222	XP5224	XP5232
Hose Barb Size	1/4	1/4	5/16	1/4	5/16



Layout



Ordering Information

Gas Service	Nitrous Oxide	Medical Air	Medical Vacuum	Oxygen	WAGD
Part Number	XP5304	XP5316	XP5322	XP5324	XP5332

Gas Service	Nitrous Oxide	Medical Air	Medical Vacuum	Oxygen	WAGD
Part Number	XP5404	XP5416	XP5422	XP5424	XP5432