

Submittal Data Sheet

Features and Benefits

- Five year parts and one year labor limited warranty*
- ETL Listed to UL 1331 and CSA Z9170-1
- Conforms to NFPA 99 and CGA standards
- Accepts Ohmeda/Ohio gas specific compatible male adaptors
- Pin indexed faceplate and back
- Removable front assembly.
- All outlets are 100% tested for flow and leaks
- Full faceplate color coding
- 360% swivel inlet tube
- Made in the U.S.A.

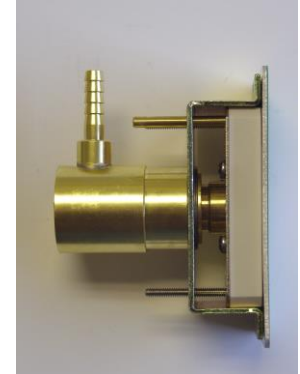
*See Terms and Conditions, Document No. 99-0477, on our website at: www.tri-techmedical.com for complete details.

Specification

The medical gas outlets shall be Tri-Tech Medical quick connect medical gas outlets. The outlets shall be modular singles, and shall incorporate nameplate color-coding in accordance with NFPA 99.

The medical gas outlets shall be designed so that upon removal of the nameplate assembly, the secondary check valve shall operate automatically to stop the free flow of the positive pressure gas services. There shall be no secondary check for Medical Vacuum or WAGD services. The seal between the nameplate and the rough-in shall be a double O-ring which is serviceable without shutting off the gas service and is capable of supporting 10 pounds @ 2" from the nameplate without leaking.

The outlet nameplate shall be permanently color coded with a durable, scratch resistant and protective label. The outlet trim plate part # XC1000-10 (optional – shown in right bottom photo) shall be durable plastic, scratch resistant, attached with the nameplate to the rough-in assembly, and provide automatic adjustment from 1/8 to 3/4 of an inch. The name of the gas service shall be permanently marked on the outlet bracket and the outlet.



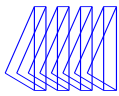
Example – XQ5124 Oxygen

The outlet's rough-in supply connection shall be either a DISS male (XQ53 or XQ54 series or a 1/4 hose barb for positive gas pressure services or a 5/16" hose barb for vacuum and WAGD services (XQ51 or XQ52 series).

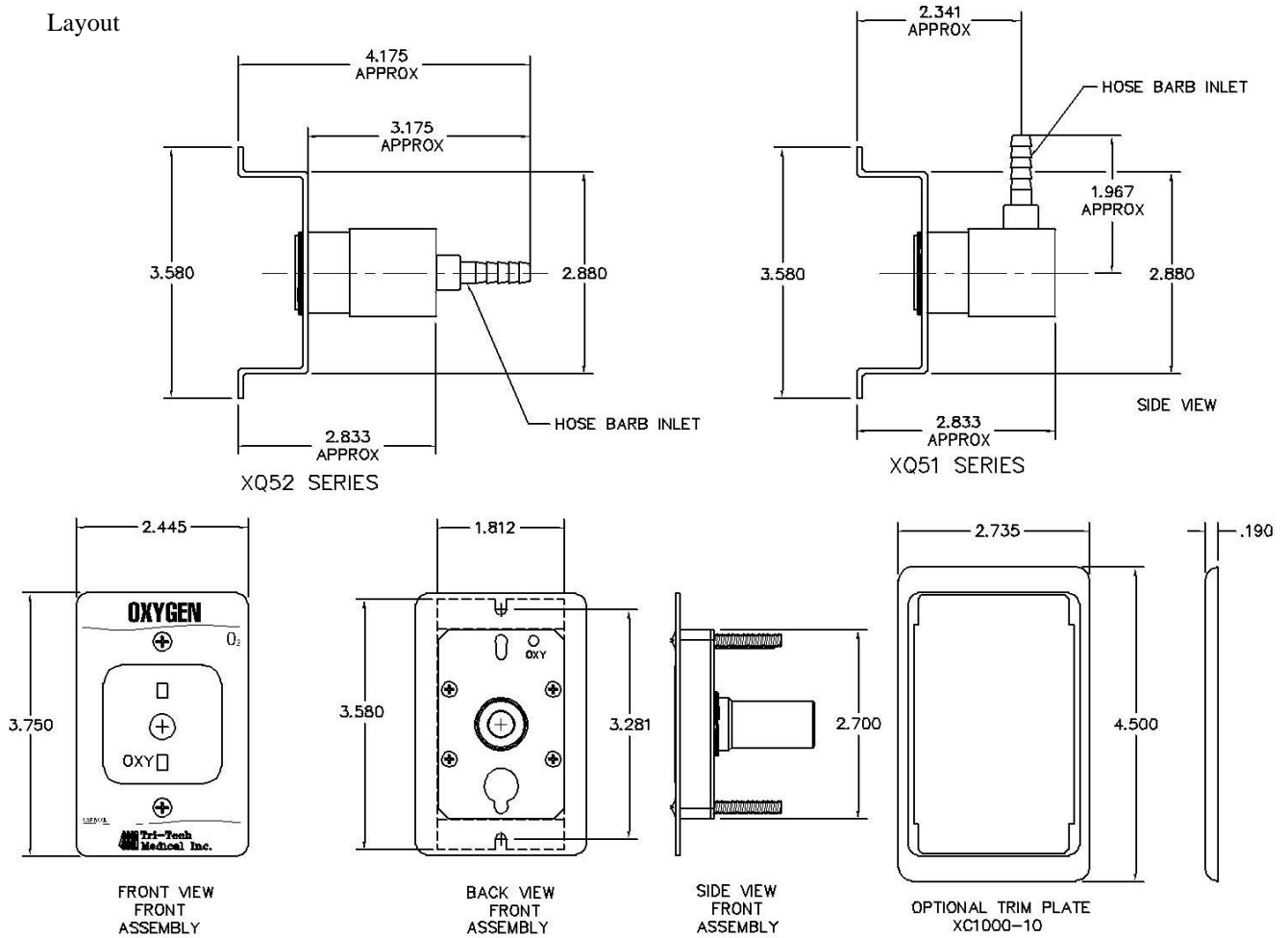
Medical gas outlets shall be cleaned for oxygen service in accordance with the current Compressed Gas Association (CGA) Pamphlet G-4.1, capped and placed in a protective container for shipment. The outlets shall be installed in strict accordance with manufacturer's instructions, and tested before use in conformance with local and federal codes.



XQ5324 Oxygen with XC1000-10 trim plate



Layout



Ordering Information

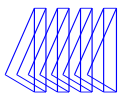
Standard Recessed Outlets Complete

Gas Service	Recessed Wall Complete	Back Body 90° 1/4 Hose Barb Wall	Outlet Faceplate
Nitrous Oxide	XQ5104	XC5104-A	XQ1004-A
Carbon Dioxide	XQ5108	XC5108-A	XQ1008-A
Nitrogen	N/A	N/A	N/A
Medical Air	XQ5116	XC5116-A	XQ1016-A
Medical Vacuum	XQ5122	XC5122-A	XQ1022-A
Oxygen	XQ5124	XC5124-A	XQ1024-A
WAGD	XQ5132	XC5132-A	XQ1032-A
Instrument Air	N/A	N/A	N/A

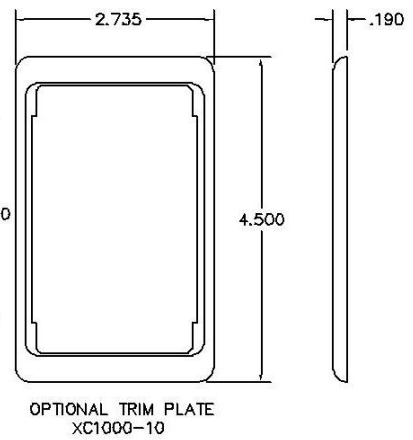
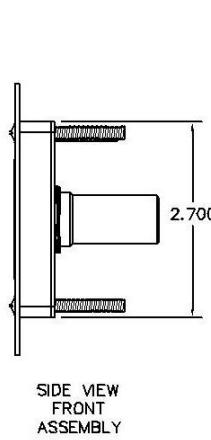
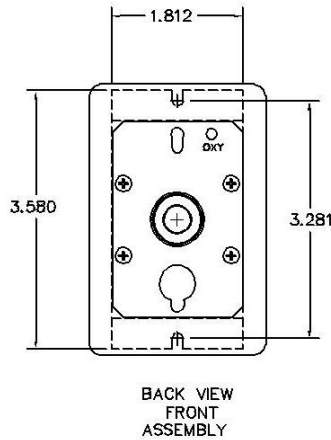
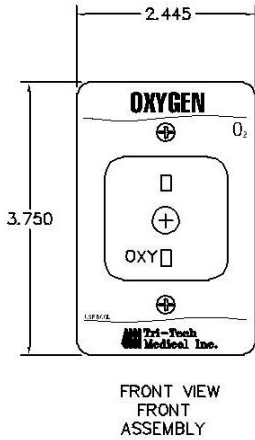
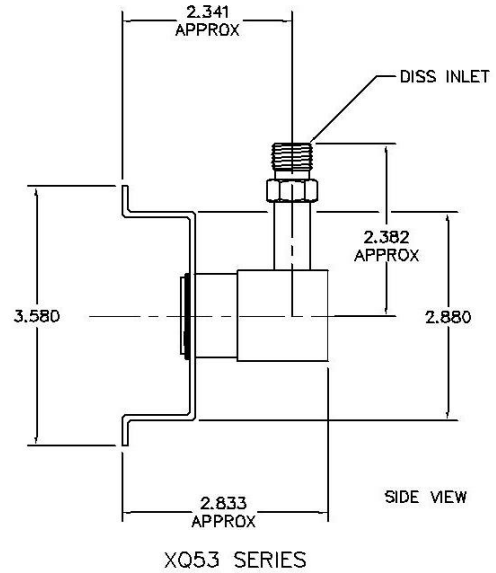
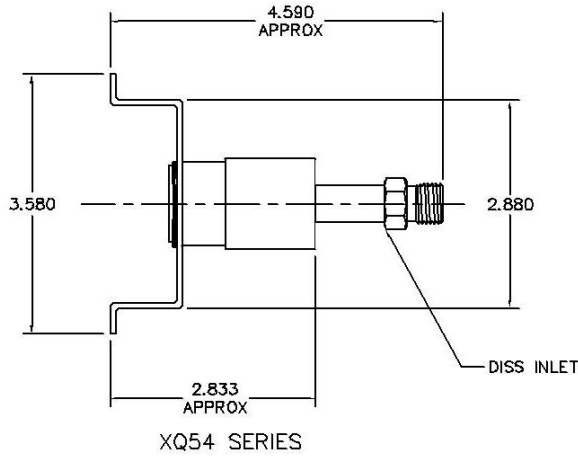
Trim Plate Sold Separately
XC1000-10

Gas Service	Recessed Wall Complete	Back Body 180° 1/4 Hose Barb Wall	Outlet Faceplate
Nitrous Oxide	XQ5204	XC5204-A	XQ1004-A
Carbon Dioxide	XQ5208	XC5208-A	XQ1008-A
Nitrogen	N/A	N/A	N/A
Medical Air	XQ5216	XC5216-A	XQ1016-A
Medical Vacuum	XQ5222	XC5222-A	XQ1022-A
Oxygen	XQ5224	XC5224-A	XQ1024-A
WAGD	XQ5232	XC5232-A	XQ1032-A
Instrument Air	N/A	N/A	N/A

Trim Plate Sold Separately
XC1000-10



Layout



Ordering Information

Standard Recessed Outlets Complete

Gas Service	Recessed Wall Complete	Back Body 90° 1/4 Surgical Arm Wall	Outlet Faceplate
Nitrous Oxide	XQ5304	XC5304-A	XQ1004-A
Carbon Dioxide	XQ5308	XC5308-A	XQ1008-A
Nitrogen	N/A	N/A	N/A
Medical Air	XQ5316	XC5316-A	XQ1016-A
Medical Vacuum	XQ5322	XC5322-A	XQ1022-A
Oxygen	XQ5324	XC5324-A	XQ1024-A
WAGD	XQ5332	XC5332-A	XQ1032-A
Instrument Air	N/A	N/A	N/A

Trim Plate <i>Sold Separately</i>
XC1000-10

Gas Service	Recessed Wall Complete	Back Body 90° 1/4 Surgical Arm Wall	Outlet Faceplate
Nitrous Oxide	XQ5404	XC5404-A	XQ1004-A
Carbon Dioxide	XQ5408	XC5408-A	XQ1008-A
Nitrogen	N/A	N/A	N/A
Medical Air	XQ5416	XC5416-A	XQ1016-A
Medical Vacuum	XQ5422	XC5422-A	XQ1022-A
Oxygen	XQ5424	XC5424-A	XQ1024-A
WAGD	XQ5432	XC5432-A	XQ1032-A
Instrument Air	N/A	N/A	N/A

Trim Plate <i>Sold Separately</i>
XC1000-10