

Submittal Data Sheet

**Project
Information**

Project Number _____ Approval _____

Features

- ETL Listed to UL 1331 and CSA Z9170-1.
- Conforms to NFPA 99 and CGA standards
- Accepts Ohmeda/Ohio gas specific compatible male adaptors
- Surface mount installation
- Gas specific indexing
- All outlets are 100% tested for flow and leaks
- Nameplate color coding per NFPA 99
- Made in the U.S.A.

Specification

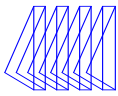
The medical gas wall outlets shall be Tri-Tech Medical quick connect medical gas outlets XQ21xx series. The outlets shall be modular singles, and shall incorporate nameplate color-coding in accordance with NFPA 99.

The medical gas outlets shall be designed so that upon removal of the nameplate assembly, the secondary check valve shall operate automatically to stop the free flow of the positive pressure gas services. There shall be no secondary check for Medical Vacuum or WAGD services. The seal between the nameplate and the rough-in shall be a double O-ring which is serviceable without shutting off the gas service. The medical gas outlet shall be capable of supporting 10 pounds @ 2” from the nameplate without leaking.

The outlet nameplate shall be permanently color-coded with a durable scratch resistant and protective label. The outlet surface-mount housing shall be durable scratch resistant plastic. The outlet nameplate and housing shall be attached to the outlet bracket. The name of the gas service shall be permanently embossed on the outlet bracket and the chrome plated brass outlet body. The outlet’s rough-in supply tube shall be a 7 inch (18 cm) length of 1/2 OD copper – Type K, for all gas services and labeled with the name of the gas service.

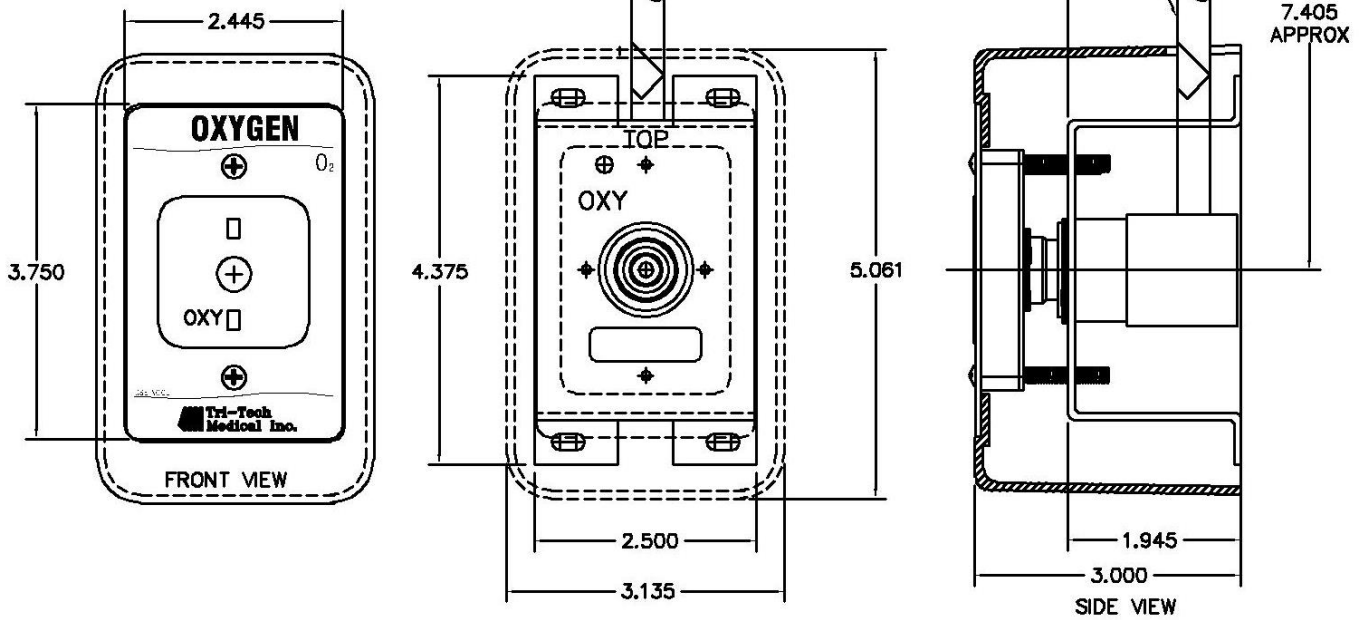


Medical gas outlets shall be cleaned for oxygen service in accordance with the current Compressed Gas Association (CGA) Pamphlet G-4.1, capped and placed in a protective container for shipment. The outlets shall be installed in strict accordance with manufacturer’s instructions, and tested before use in conformance with local and federal codes.



Submittal Data Sheet

XQ21 SERIES



Ordering Information

Connection Type	Nitrous Oxide	Carbon Dioxide	Nitrogen	Medical Air	Medical Vacuum	Oxygen	WAGD	Instrument Air
Ohio/Ohmeda	XQ2104	XQ2108	-	XQ2116	XQ2122	XQ2124	XQ2132	-