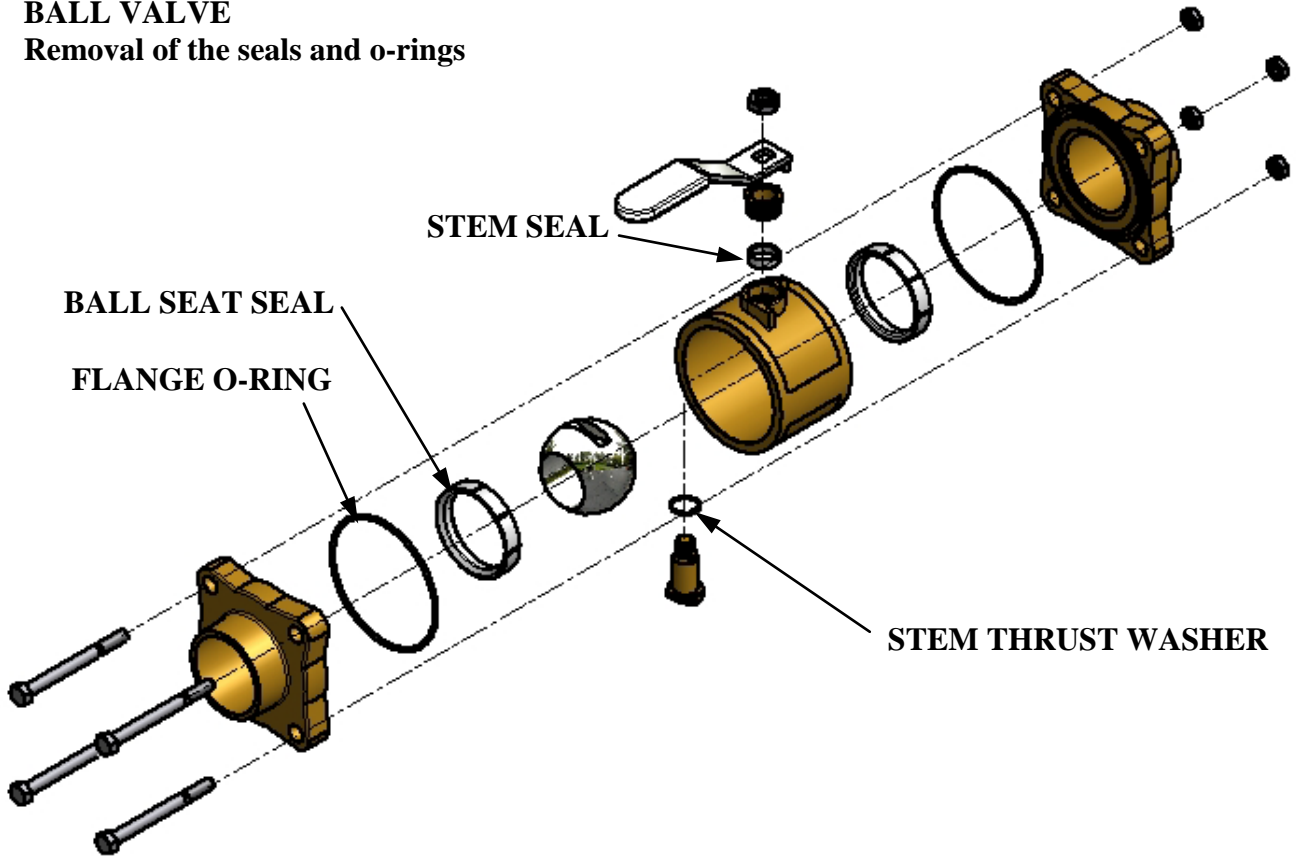


FOR TRI-TECH MODEL NUMBERS:

1/2"	3/4"	1"	1 1/4"	1 1/2"	2"	2 1/2"
52-02	52-03	52-04	52-05	52-06	52-07	52-08
52-02LH	52-03LH	52-04LH	52-05LH	52-06LH	52-07LH	52-08LH

**BALL VALVE  
Removal of the seals and o-rings**

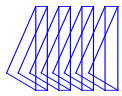


*Figure 1*  
Remove and discarded the worn-out seals and o-rings from Ball Valve.

Seal Kit Part Number	Valve Size	Seal Kits Includes the Following
52-0002S	1/2"	2 Ball Seat Seals 2 Flange O-Rings 1 Stem Seal 1 Stem Thrust Washer
52-0003S	3/4"	
52-0004S	1"	
52-0005S	1 1/4"	
52-0006S	1 1/2"	
52-0007S	2"	
52-0008S	2 1/2"	

**Tools Needed**

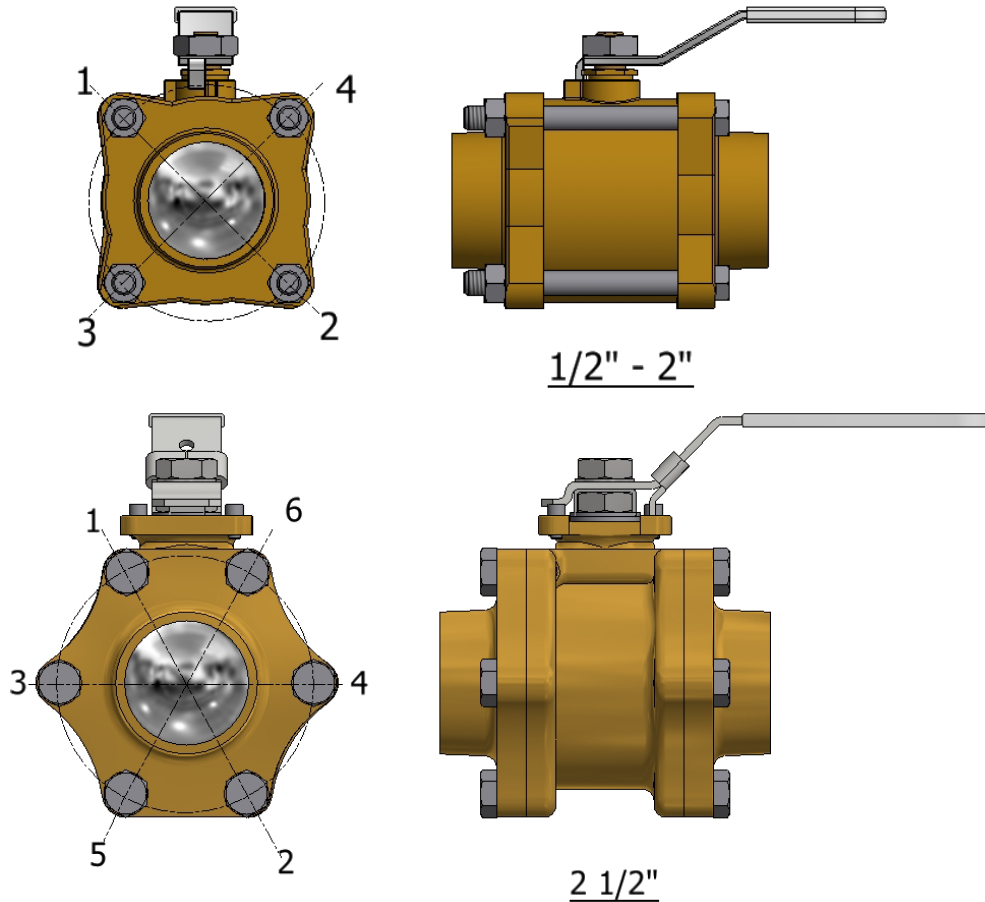
1- Adjustable Wrench      7/16, 1/2, 9/16, 5/8, 11/16 and 3/4 Hex Wrench



FOR TRI-TECH MODEL NUMBERS:

1/2"	3/4"	1"	1 1/4"	1 1/2"	2"	2 1/2"
52-02	52-03	52-04	52-05	52-06	52-07	52-08
52-02LH	52-03LH	52-04LH	52-05LH	52-06LH	52-07LH	52-08LH

**1 1/2" and 3" BALL VALVES SHOWN**



*Figure 1*

*Note: Tighten Bolts in the Numbered Sequence shown above.*

<b>Part No.</b>	<b>Valve Size</b>	<b>Bolt Size</b>	<b>kgf-cm</b>	<b>in-lbs</b>
52-02	1/2"	1/4 - 20	75	65
52-03	3/4"	5/16 - 18	86	75
52-04	1"	5/16 - 18	86	75
52-05	1 1/4"	3/8 - 16	144	125
52-06	1 1/2"	3/8 - 16	144	125
52-07	2"	7/16 - 14	230	200
52-08	2 1/2"	1/2 - 13	230	200