

---

Submittal Data Sheet

---

**Features**

- **Five year parts and one year labor limited warranty\***
- Meets NFPA 99 requirements
- Valves may be piped left to right or right to left
- All valves are dual gauge port full port ball valves
- 3 piece in-line repairable valve
- Adjustable packing with blow-out proof stem design
- Accommodate 2-1/2" valve or 3" valve
- 3-piece valve bodies to have a working pressure of 600 psi WOG (29 in/Hg vacuum)
- Valve cleaned for Oxygen service
- Plastic insulators to protect from galvanic corrosion
- NFPA and ISO color coded gas labels in English, English/French and English/Spanish
- Provided with 1 1/2" diameter gauges
- Smoked" Translucent flexible plastic window provided with all models except ISO English/French
- White Opaque flexible plastic window provided with ISO English/French models.

\* See Terms and Conditions, Document No. 99-0477, on our website at: <https://tri-techmedical.com> for complete details.

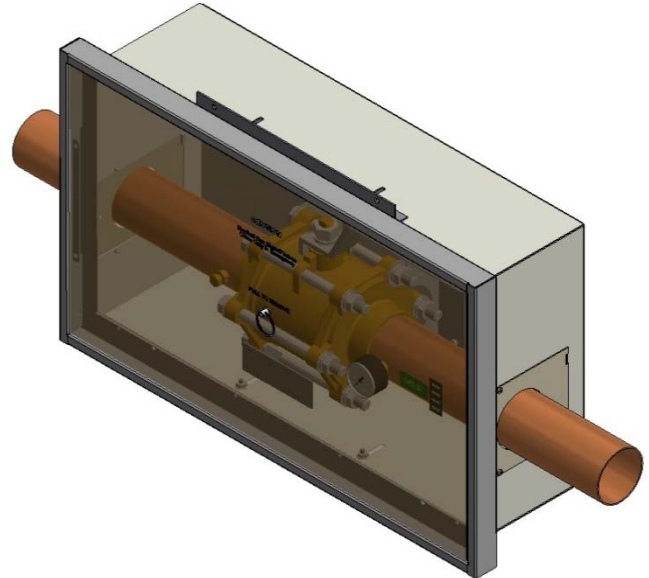
**Specification**

All zone valve boxes shall be the Tri-Tech Medical SV series and must be installed and tested in strict accordance with NFPA 99 standards and or any other local codes before use.

**Valves** – The valves shall be dual gauge port cast bronze, ball-type, with Teflon (TFE) seats and seals. 3-piece valve bodies shall be rated at a working pressure of 600 psi (29 in/Hg vacuum) and shall be operated by a lever-type handle, requiring only a quarter turn from a fully open position to a fully closed position. Valve shall incorporate an adjustable packing and a blow-out proof stem. Only full port valves having flow rates comparable to equivalent size of pipe shall be used. Valve shall be able to be piped from left to right or right to left.

Valve shall be provided with type K copper tubing extensions to facilitate installation. Valve shall be 3 piece in-line repairable type. Valve assembly shall be supplied cleaned for oxygen service in accordance with current CGA standards. The valve tube ends shall be capped and sealed in a protective container to prevent contamination prior to installation.

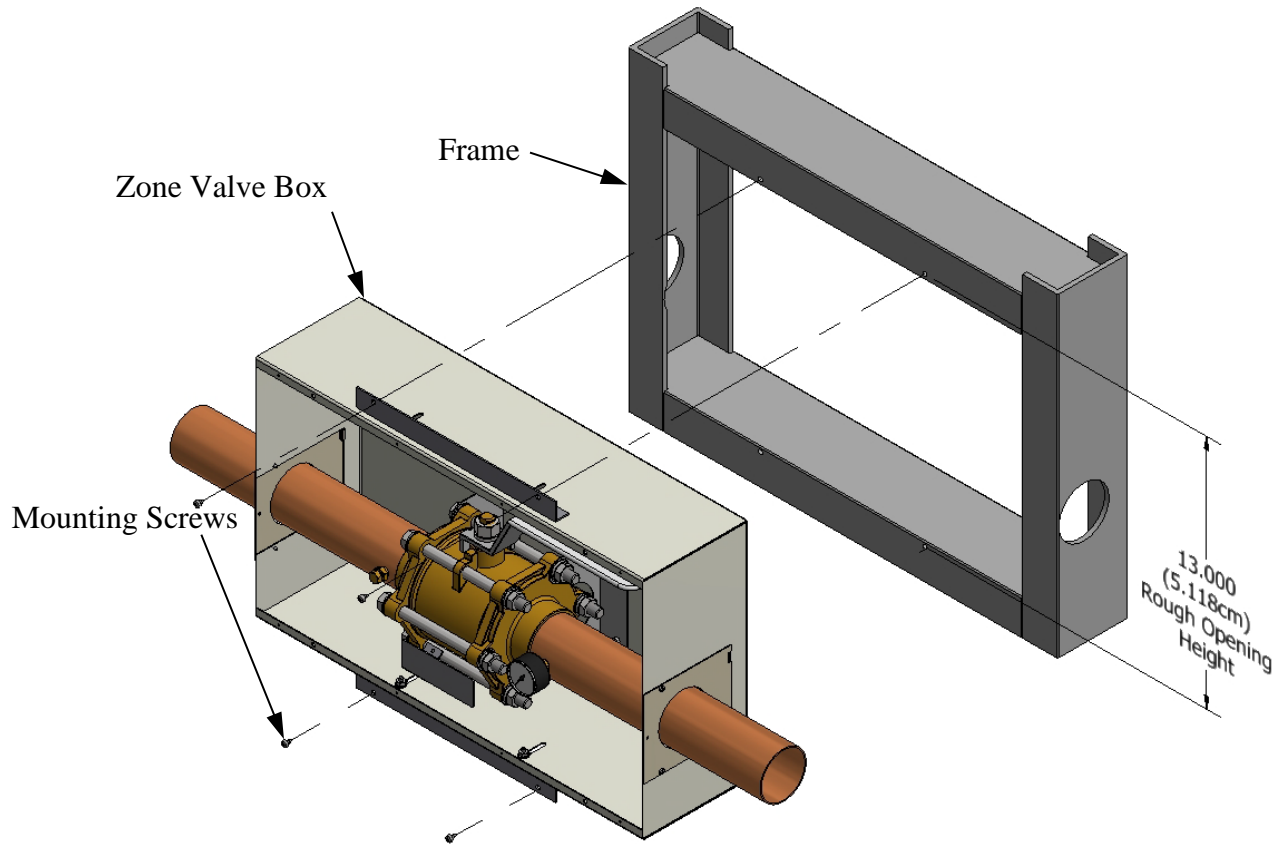
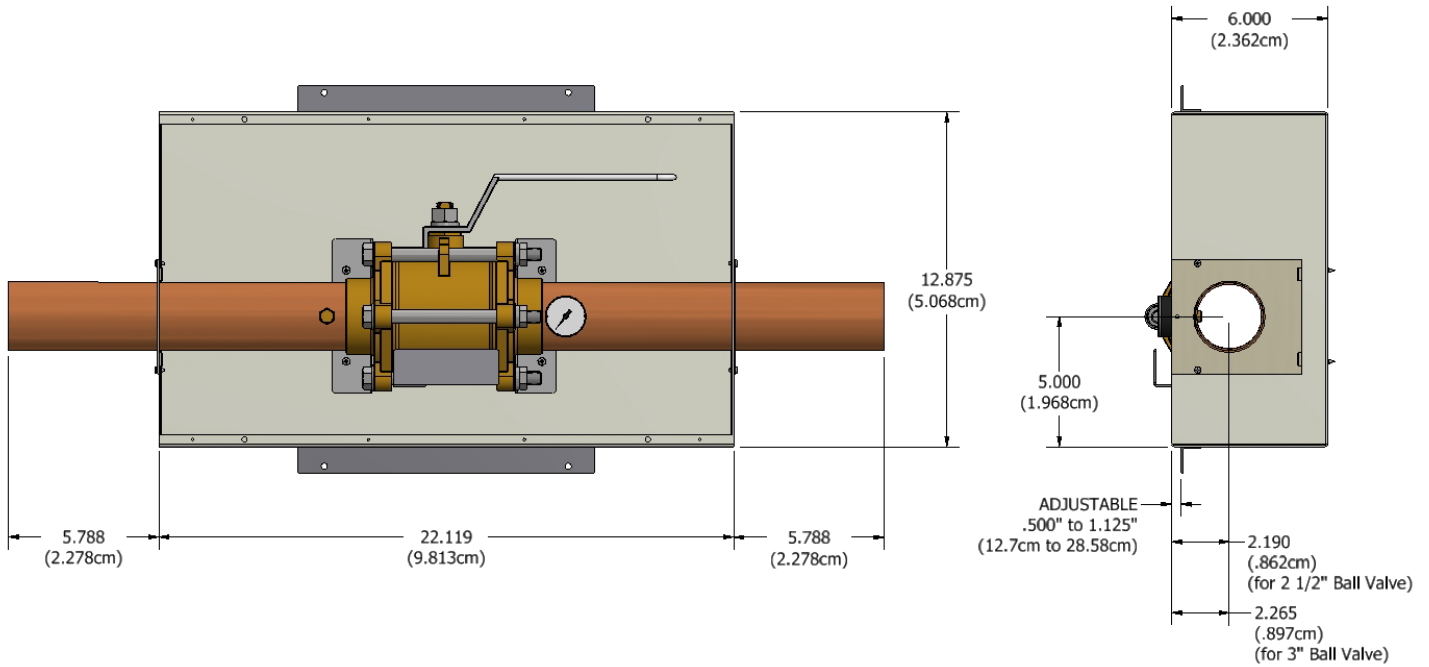
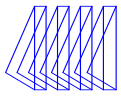
Gauge shall be 1 1/2" diameter for monitoring pressure and vacuum, and shall state: "USE NO OIL". Dual scale gauges are not acceptable for U.S.A. installations.

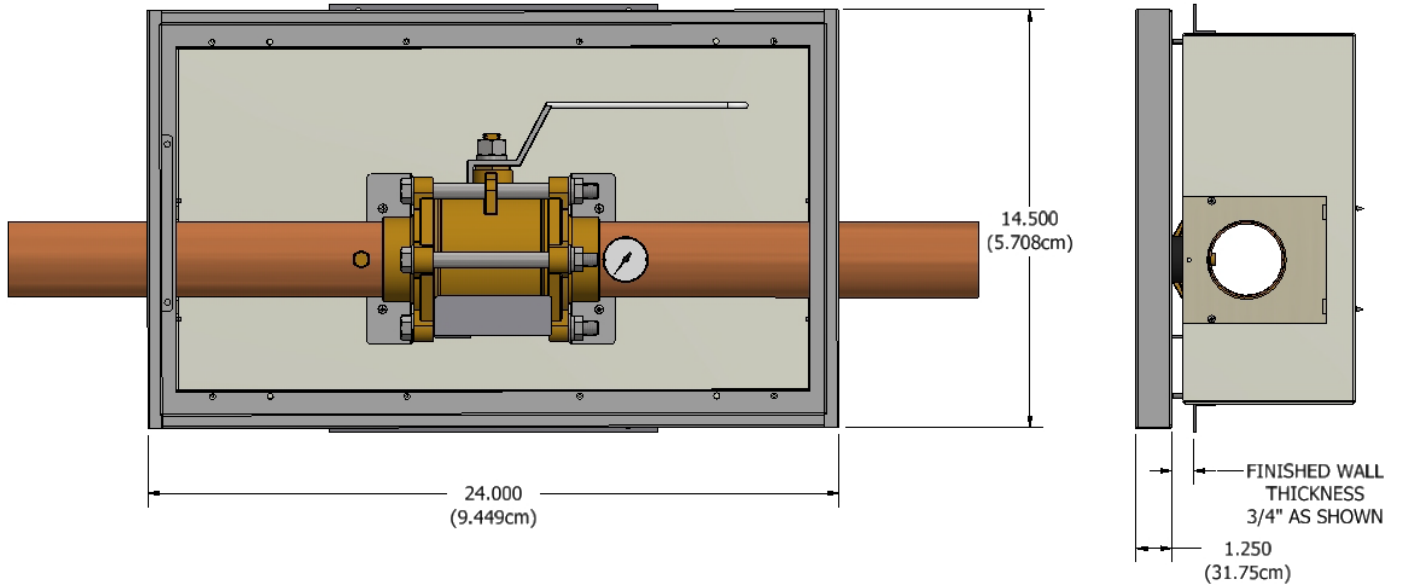
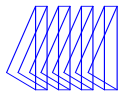


*Shown above SVU18V-06 valve box with gauge  
2-1/2" Medical Vacuum*

**Box** – The valve box shall be 16-gauge sheet steel construction painted to prevent rust. A single box shall house one valve. Box shall be supplied with an adjustable plaster flange 1/2" to 1-1/8" for easy mounting. Requires 6" wall stud framing.

**Window** – Valve box assembly shall be supplied with a formed steel decorative frame painted white which encloses an easily removable flexible window. The window shall be a "smoked" translucent on NFPA models and a white opaque on ISO English/French models, flexible plastic with a pull-out ring pre-mounted to the center of the window. The window shall not be replaceable while any valve is in a closed position. Window shall be silk screened with the following statement "CAUTION: MEDICAL GAS SHUTOFF VALVES. CLOSE ONLY IN EMERGENCY."

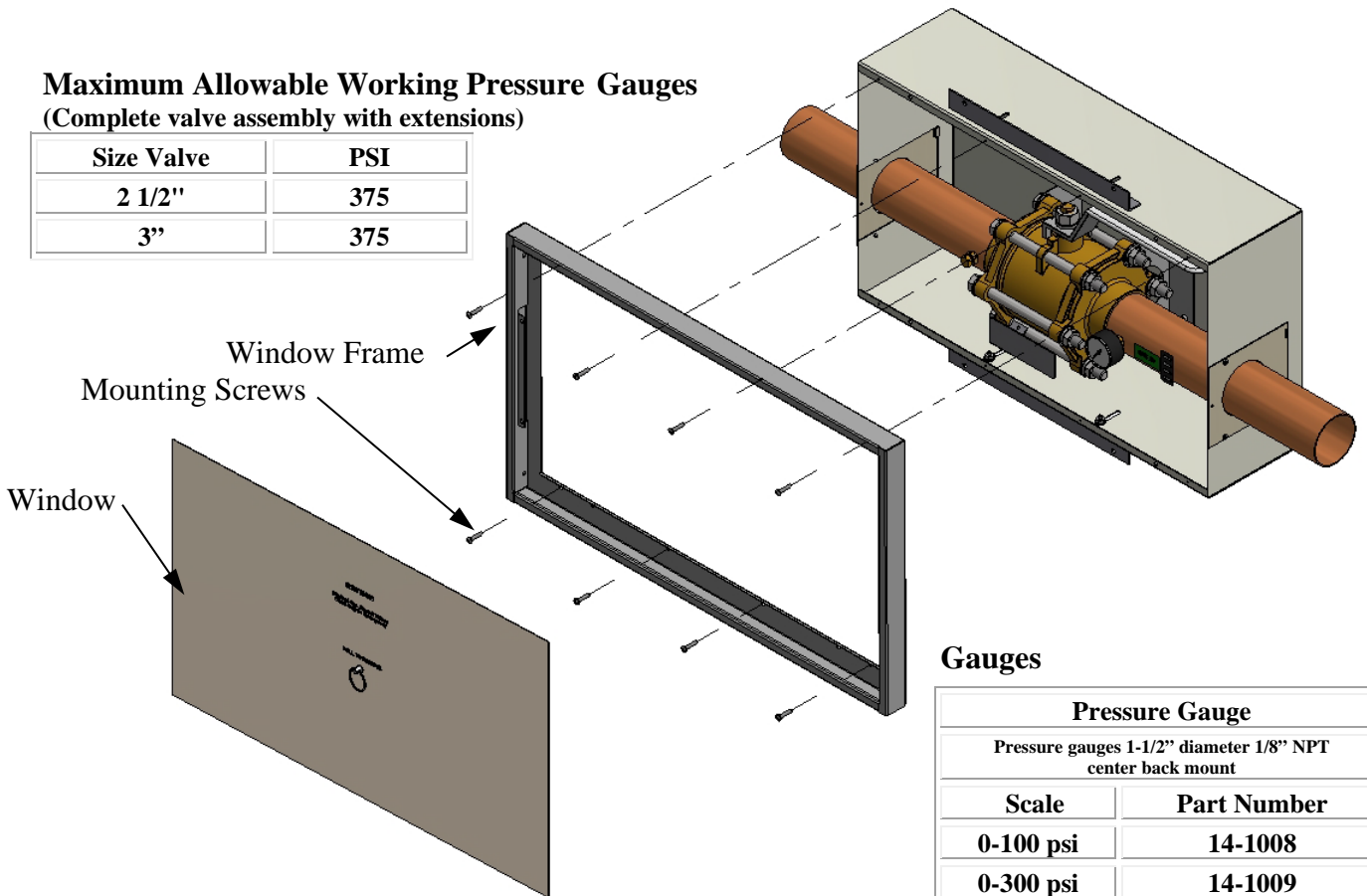




**WINDOW FRAME**

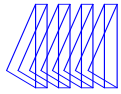
**Maximum Allowable Working Pressure Gauges  
(Complete valve assembly with extensions)**

Size Valve	PSI
2 1/2"	375
3"	375



**Gauges**

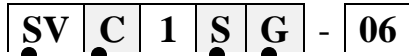
Pressure Gauge	
Pressure gauges 1-1/2" diameter 1/8" NPT center back mount	
Scale	Part Number
0-100 psi	14-1008
0-300 psi	14-1009
0-30 in Hg	14-1010



**How to Order:** Easy to use modular ordering system.

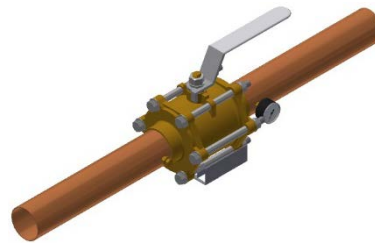
Fill in the blanks to specify the Zone Valve Box that meets **your** needs.

**Model Numbering:**



**G = Gas Service**

- |   |  |
|---|--|
| A – Medical Air                                   | Y – Laboratory Vacuum                              |
| C – Carbon Dioxide – 50 psi                       | 2 – Dental Air                                     |
| D – Carbon Dioxide – 80 psi                       | 3 – Dental Vacuum                                  |
| E – Carbon Dioxide HP – 100 psi                   | 4 – Medical Vacuum/WAGD                            |
| G – Argon   | 5 – Medical Vacuum/AGSS                            |
| H – Hyperbaric Oxygen                             | < – Gas Mixture (uses 100 psi Gauge)               |
| I – Instrument Air                                | > – High Pressure Gas Mixture (uses 250 psi Gauge) |
| J – Carbon Dioxide-Oxygen Mixt DISS 1080 (CO2>7%) |  |
| K – Helium-Oxygen Mixt DISS 1060 (He>80%)         |  |
| L – Helium  |  |
| N – Nitrous Oxide                                 |  |
| O – Oxygen  |  |
| R – Tri-Gas                                       |  |
| S – AGSS  |  |
| T – Nitrogen                                      |  |
| U – Laboratory Air                                |  |
| V – Medical Vacuum                                |  |
| W – WAGD/EVAC                                     |  |



2-1/2" Ball Valve w/ Gauge on the right side

**S = Size of Valve**

- 8 – 2- 1/2" valve      9 – 3" valve

**C = Country**

- |   |  |
|---|--|
| U – Tri-Tech Labeled NFPA Color Code English        | I – Tri-Tech Labeled ISO Color Code English/French |
| S – Tri-Tech Labeled ISO Color Code English/Spanish | N – Tri-Tech Labeled NFPA Color Code Spanish       |

**SV = Special Valve Box**

**Part No. Example**

SVU18V-06 = 1 gas valve box and gauges on right side only of valve with 2- 1/2" valve with U.S. labels.